



ZENITH

POWER PRODUCTS

Service Parts Manual TA6120

Availability & Shipping Information



- Part Availability is subject to change based on obsolescence from Original Part Manufacturer.
- Orders on in-stock parts normally ship within 1-2 business days. Please advise if needed sooner. Expedite charges may apply to rush orders.
 - ZPP utilizes UPS small package service (preferred carrier) on a 5-day-per-week basis with 12PM CST pick-up.
 - ZPP can also ship using FedEx Ground and Express services for small packages.
 - DHL is an option for international packages.
 - A \$25 service charge may be applied to orders under \$50.00.
- Customers have the option of using their own collect account or being invoiced for the freight charges.
- All shipments are FOB origin unless otherwise specified (this includes any drop-shipments made from ZPP's suppliers).

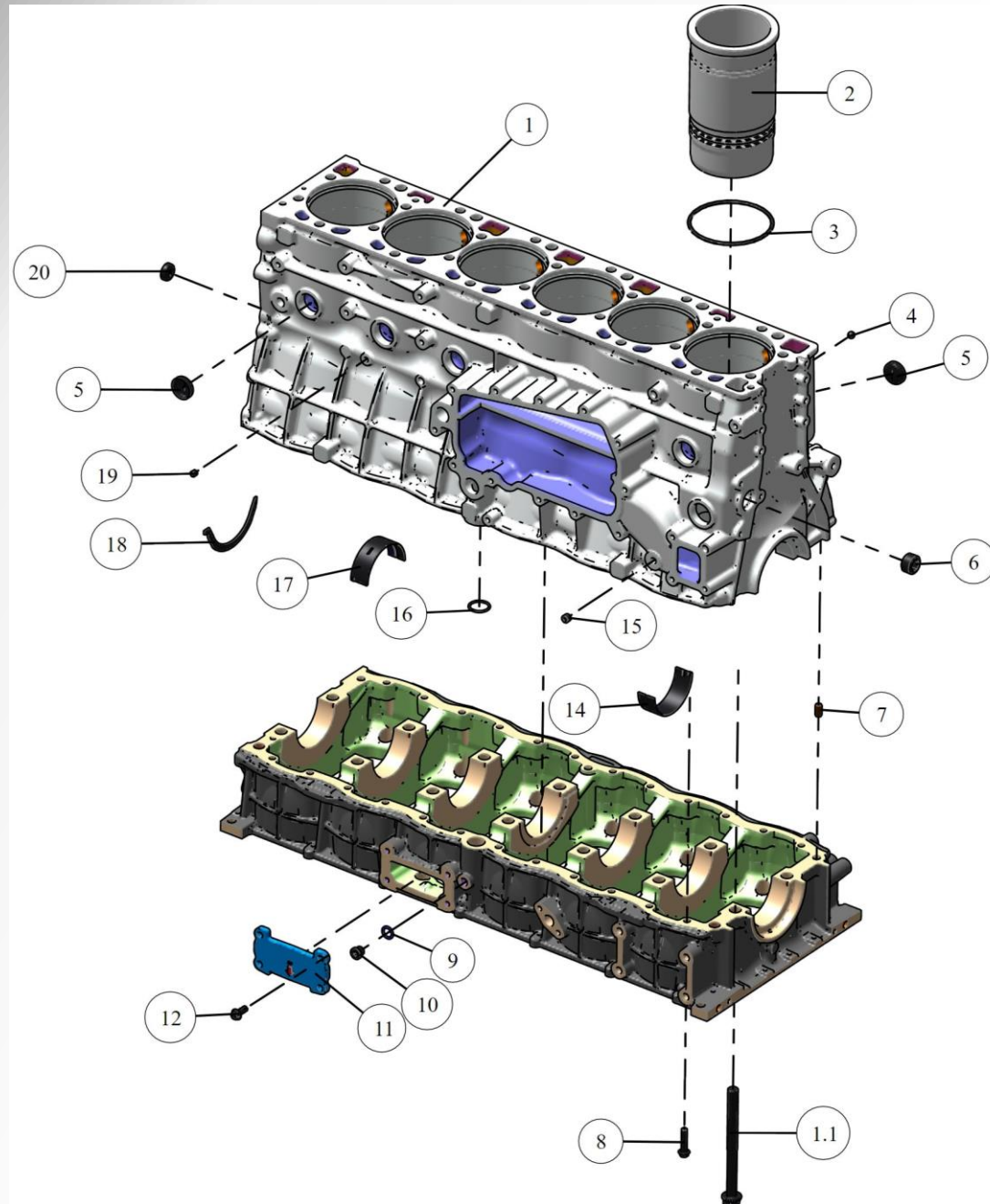
*Images are for illustrative purposes only and may differ from the actual product. Not all parts may be available for purchase.

Engine Sub-system Index



Engine Subsystem	Page	Engine Subsystem	Page
Recommended Parts Stock List	4	Engine Bases	30
Cylinder Block Group	5	Enclosure Panels	34
Cylinder Head Group	7	Oil Leveler System	36
Crankshaft / Con. Rod Group	9	Cooling Package System	38
Transmission Group	11	Intake Systems	40
Intake / Exhaust Group	13	Fuel System	44
Front Drive Group	16	EGR System	46
Valve Group	18	Water-Air Separator	48
Lubrication Group	20	Exhaust Systems	52
Cooling System	22	Miscellaneous Parts	56
Electrical Group	24	Service Kits	58
Control Group	26		
Miscellaneous Parts	28		

Cylinder Block Group

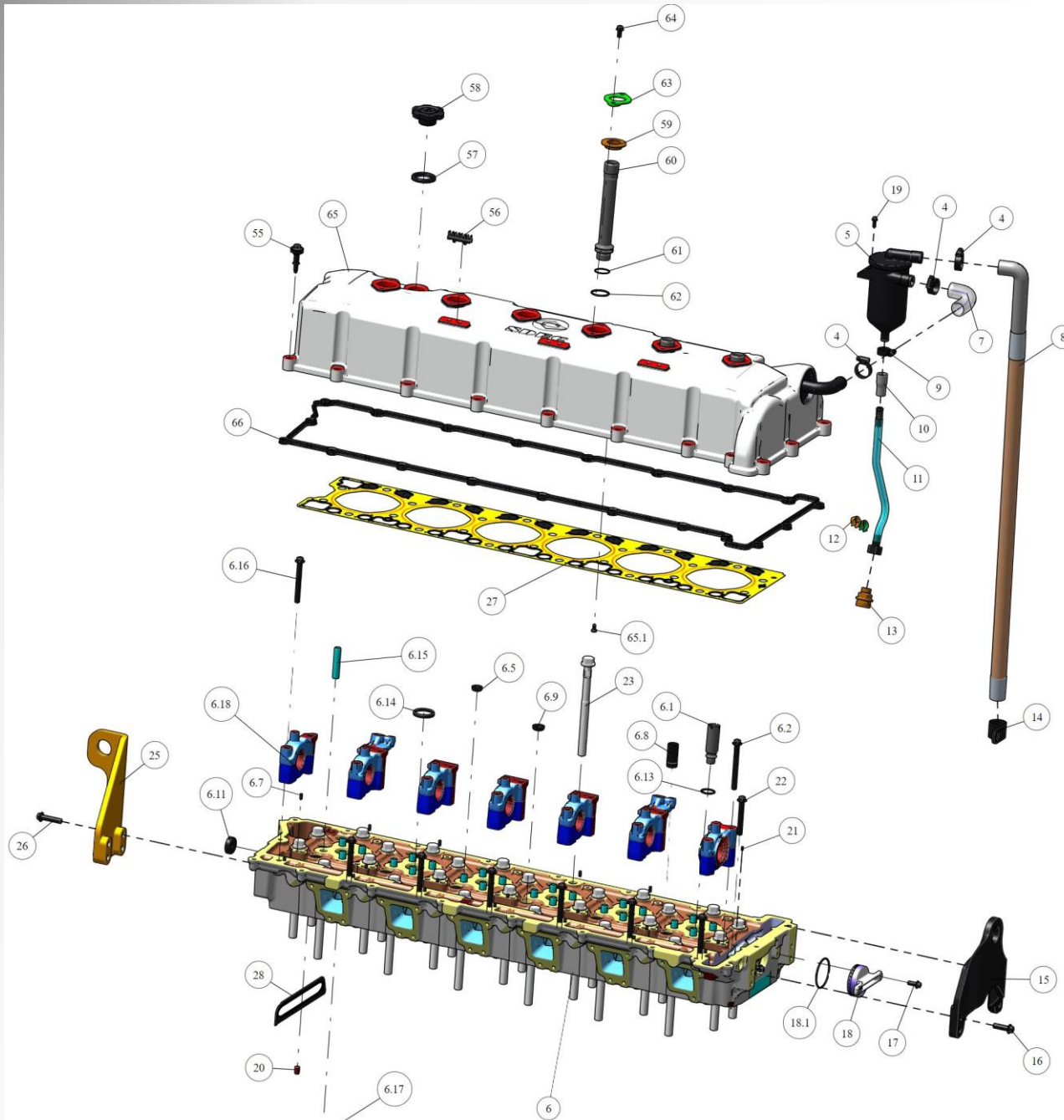


Cylinder Block Group



Item No	Part Number	Description	Qty
1	S00026202	CYLINDER BLOCK ASSY (MACHINED)	1
1.1	S00002319	BOLT, MAIN BEARING	14
2	203035	CYLINDER LINER	6
3	203034	SEAL, CYLINDER LINER	12
4	B00004383	STEEL BALL	1
5	204293	EXPANSION PLUG	11
6	B00004574	HEXAGON COUNTERSUNK CONE PLUG SCREW	1
7	204294	DOWEL PIN	3
8	B00002011	HEX HEAD BOLT WITH FLANGE	24
9	204339	COPPER WASHER	1
10	B00001704	HEXAGON COUNTERSUNK PLUG SCREW	1
11	204340	OIL CENTRIFUGAL FILTRATION COVER ASSEMBL	1
12	B00001999	HEX HEAD BOLT WITH FLANGE	4
14	203040	MAIN BEARING, LOWER	7
15	B00004647	HEXAGON COUNTERSUNK CONE PLUG SCREW	1
16	203101	O-RING	1
17	203039	MAIN BEARING, UPPER	7
18	203041	CRANKSHAFT THRUST BEARING	4
19	B00004646	HEXAGON COUNTERSUNK CONE PLUG SCREW	1
20	204341	EXPANSION PLUG	1

Cylinder Head Group



Cylinder Head Group

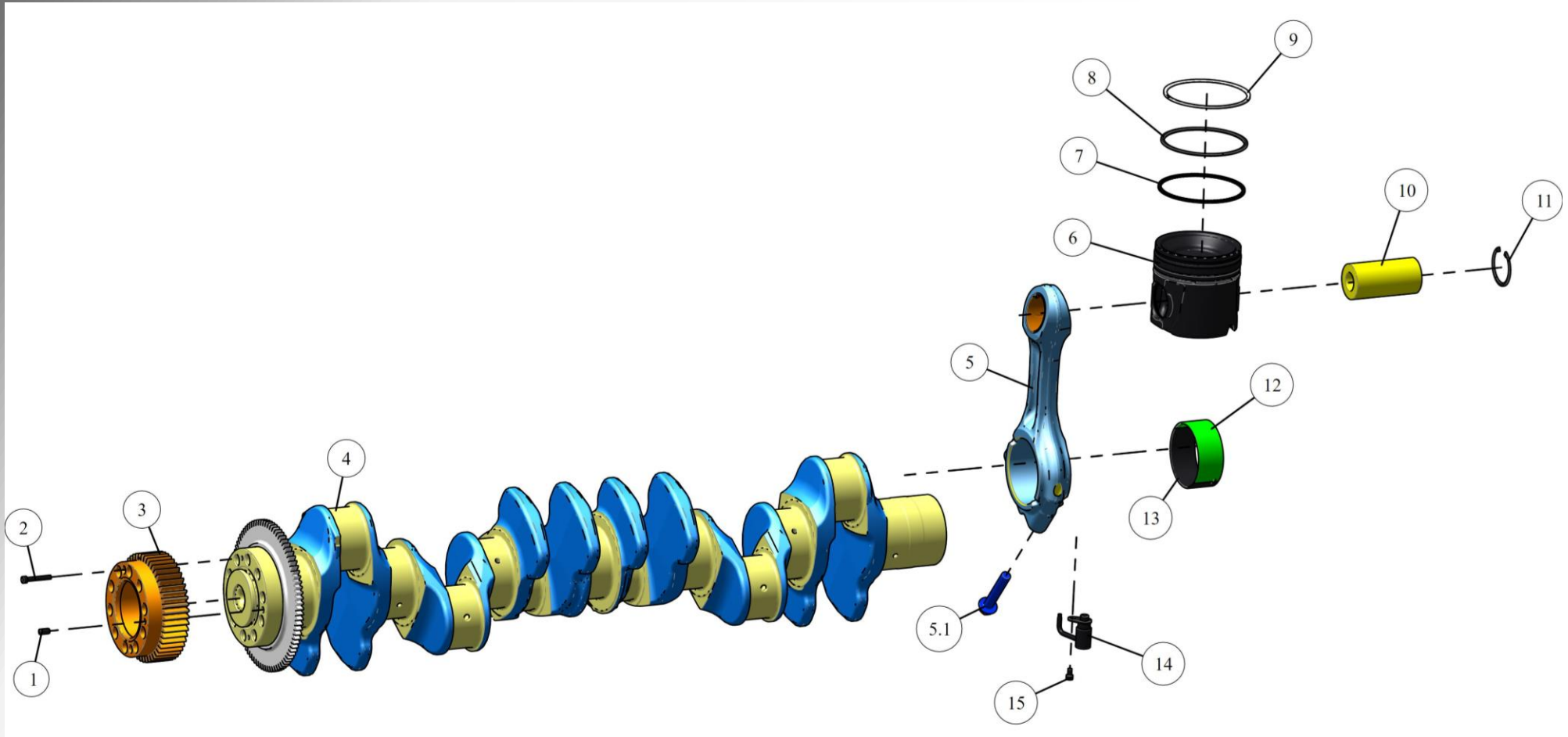


Item No	Part Number	Description	Qty
4	B00001565	CLAMP	3
5	202541	CRANKCASE VENT FILTER ASSY	1
6	203052	CYLINDER HEAD ASSY (ASSEMBLED)	1
6.1	204177	IGNITION SPARK SLEEVE	6
6.2	B00004349	HEXAGON BOLTS	1
6.5	204295	PLUG (Φ22)	12
6.7	204296	PARALLEL PINS	26
6.8	204342	CYLINDER HEAD WATER TUBE	6
6.9	204297	PLUG (Φ25)	6
6.11	204343	EXPANSION PLUG	1
6.13	204301	O-RING	6
6.14	S00026998	VALVE SEAT INERT, INTAKE	12
6.15	203840	VALVE GUIDE	24
6.16	B00005049	HEXAGON BOLTS	7
6.17	S00026999	VALVE SEAT INSERT, EXHAUST	12
6.18	204344	CAMSHAFT BEARING CAP	1
7	204345	MIST INLET PIPE, CRANKCASE VENT FILTER	1
8	204346	AIR OUTLET PIPE, CRANKCASE VENT FILTER	1
9	B00001563	CLAMP	2
10	204347	BLOW-BY FILTER HOSE	1
11	203108	OIL RETURN PIPE ASSY, CRANKCASE VENT FILTER	1
12	S00012611	CLAMP	1
13	204348	CRANKCASE VENTILATION SYSTEM	1
14	S00008411	CLIP	1
15	S00008112	ENGINE LIFTING EYE, REAR	1
16	B00004353	HEXAGON BOLTS	4

Item No	Part Number	Description	Qty
17	B00004368	HEXAGON BOLTS	2
18	203064	BACK COVER ASSY	1
18.1	S00002090	O-RING	1
19	B00002114	HEXAGON BOLTS	2
20	204292	PARALLEL PINS	2
21	203066	PARALLEL PINS	2
22	B00002028	HEXAGON BOLTS	2
23	202999	BOLT, CYLINDER HEAD	26
25	S00008115	ENGINE LIFTING EYE, FRONT	1
26	B00002011	HEXAGON BOLTS	4
27	203065	GASKET, CYLINDER HEAD	1
28	203143	GASKET, GEAR HOUSING	1
55	203070	BOLT, VALVE COVER	20
56	202386	IGNITION WIRE RETAINER	3
57	202727	SEAL RING, OIL FILLER	1
58	203068	COVER, OIL FILLER	1
59	204302	SEAL RING, GLOW PLUG SLEEVE	6
60	204300	SPARK HARNESS PROTECTION SLEEVE	6
61	204178	O-RING	6
62	204179	O-RING	6
63	203074	SEAL RING CLAMP, GLOW PLUG SLEEVE	6
64	B00004884	HEXAGON BOLTS	12
65	203067	VALVE COVER ASSY	1
65.1	B00000604	HEXAGON HEAD BOLT	6
66	203069	GASKET, VALVE COVER	1

[For Cylinder Head Assembly with Gasket Kit, see pg. 52](#)

Crankshaft / Con. Rod Group



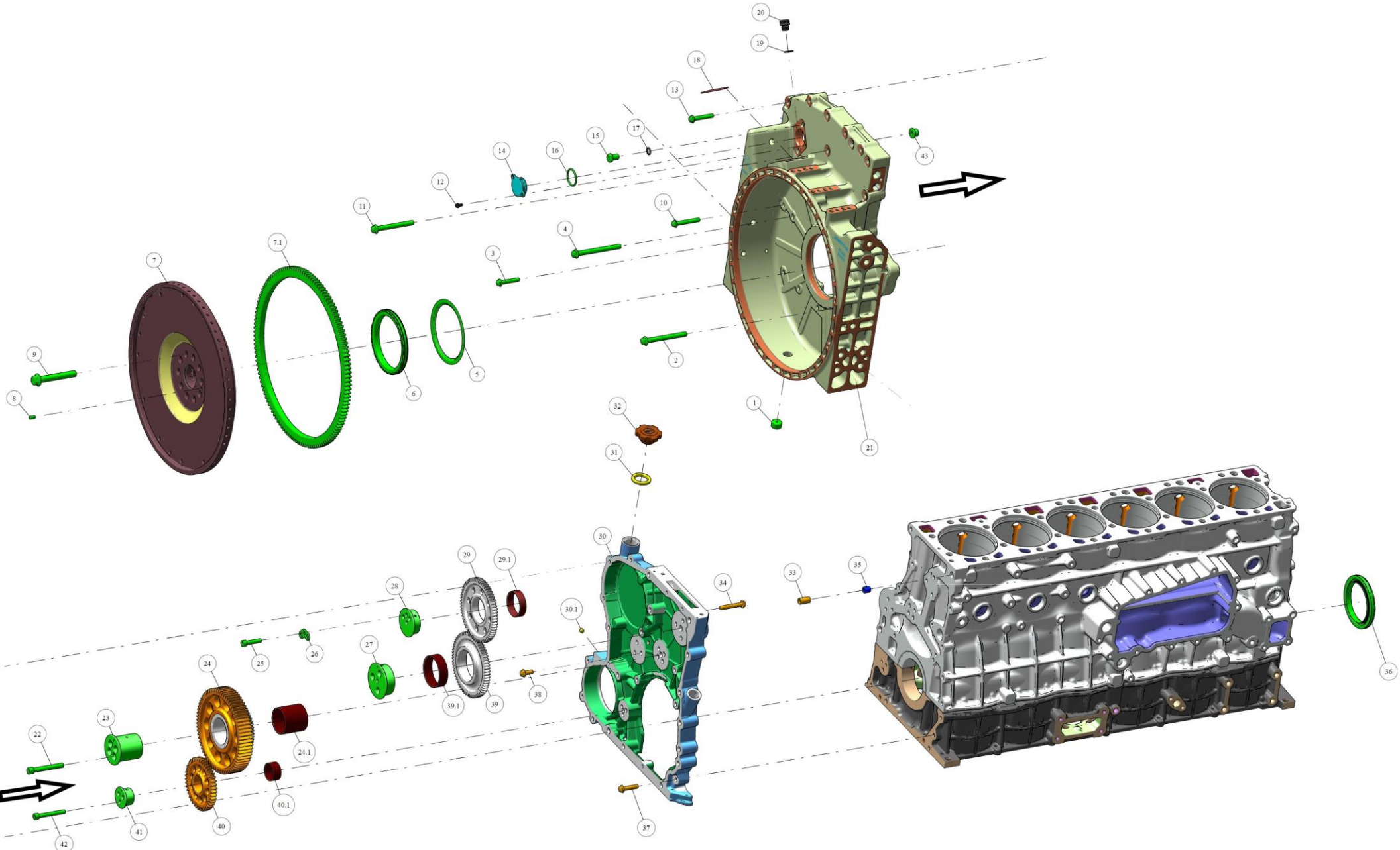
Crankshaft / Con. Rod Group



Item No	Part Number	Description	Qty
1	204303	PARALLEL PINS	1
2	B00000911	HEXAGON SOCKET HEAD CAP SCREW	2
3	203043	GEAR, CRANKSHAFT	1
4	203042	CRANKSHAFT ASSY (ASSEMBLED)	1
5	203049	CONNECTING ROD ASSY (MACHINED)	6
5.1	204261	BOLT, CONNECTING ROD	2
6	203048	PISTON	6
7	203059	PISTON OIL CONTROL RING ASSY	6
8	203058	TAPER TORSION RING	6
9	203051	TOP PISTON RING	6
10	203050	PIN, PISTON	6
11	203060	PISTON PIN RETAINER	12
12	203061	UPPER BEARING, CONNECTING ROD	6
13	203062	LOWER BEARING, CONNECTING ROD	6
14	203063	ORIFICE ASSY, PISTON COOLING JET	6
15	B00000896	HEXAGON SOCKET HEAD CAP SCREW	6

[For replacement Piston parts kit, see pg. 52](#)

Transmission Group



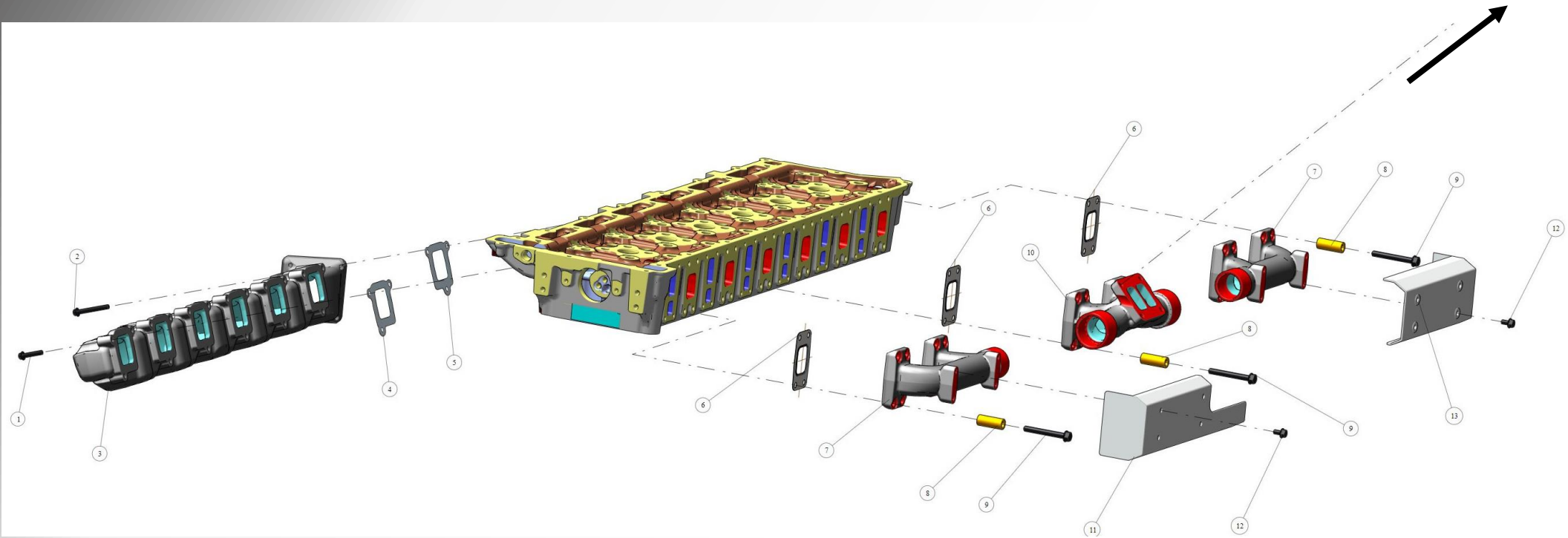
Transmission Group



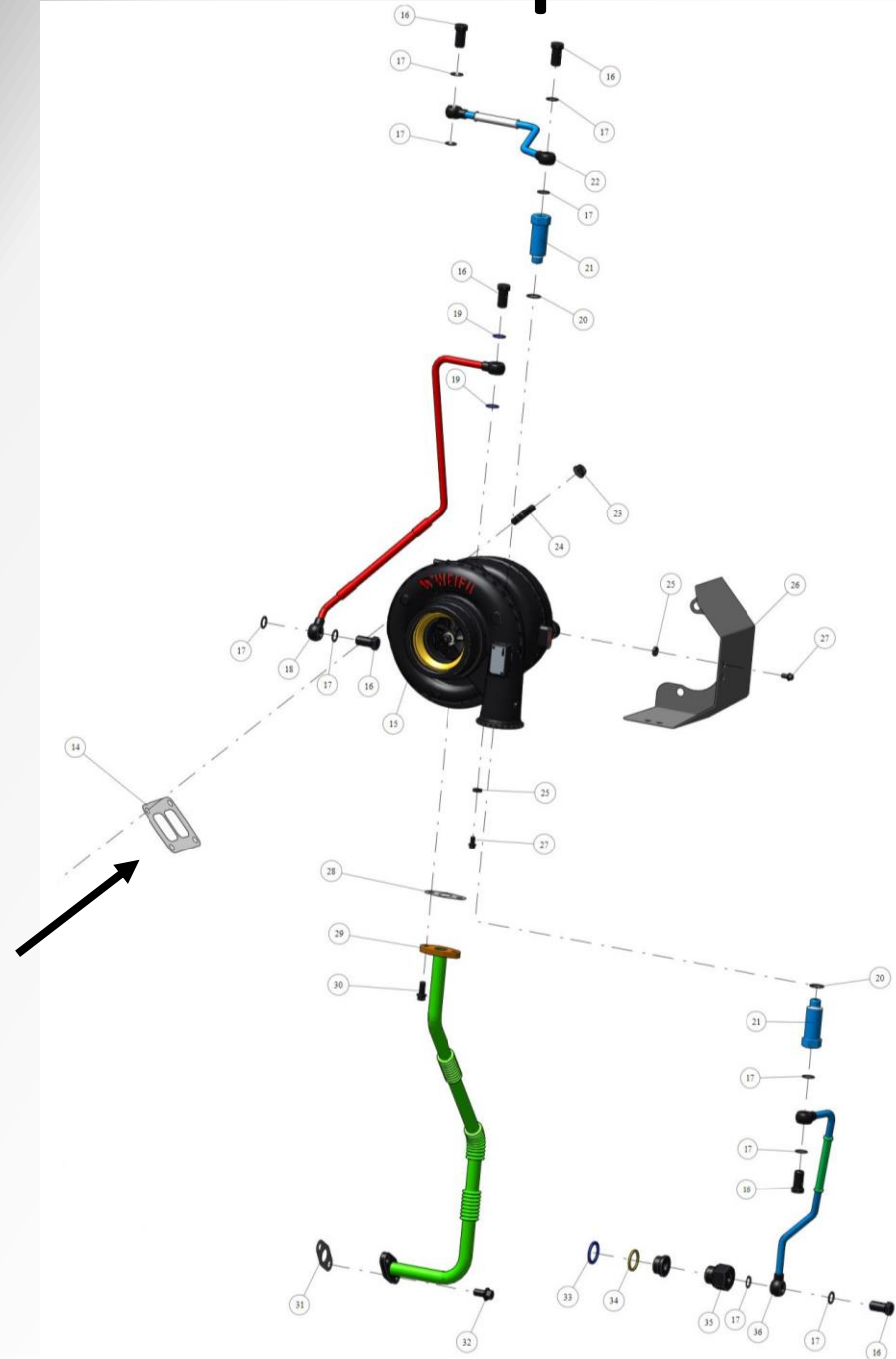
Item No	Part Number	Description	Qty
1	D02A-163-02	HEX SOCKET PIPE PLUG	1
2	204273	HEXAGON BOLTS	8
3	204274	HEXAGON BOLTS	2
4	B00002040	HEXAGON BOLTS	1
5	203038	DEFLECTOR RING, OIL SEAL	1
6	203037	REAR OIL SEAL RING, CRANKSHAFT	1
7	203046	FLYWHEEL AND RING GEAR ASSY	1
7.1	204304	RING GEAR, ENGINE START	1
8	204303	PARALLEL PINS	1
9	203047	BOLT, FLYWHEEL	10
10	204276	HEXAGON BOLTS	2
11	204275	HEXAGON BOLTS	3
12	B00002111	HEXAGON BOLTS	4
13	204272	HEXAGON BOLTS	5
14	S00010208	PLATE WITH OPENING, FLYWHEEL HOUSING	1
15	204277	SMALL HEXAGON HEAD BOLT	2
16	204305	O-RING	1
17	B00001547	COMPOSITE HARD WASHER	2
18	S00010240	OBSERVING HOLE ADAPTOR, FLYWHEEL HOUSING	1
19	B00001549	COMPOSITE HARD WASHER	2
20	B00001728	HEXAGONAL HEAD SCREW PLUG	2
21	204279	FLYWHEEL HOUSING	1
22	B00004379	HEXAGON SOCKET HEAD CAP SCREW	4
23	203078	STEP GEAR SHAFT	1
24	203077	STEP GEAR ASSY	1

Item No	Part Number	Description	Qty
24.1	S00002292	STEP GEAR BUSHING	1
25	B00004377	HEXAGON SOCKET HEAD CAP SCREW	6
26	203082	CAMSHAFT IDLER GEAR SHAFT SPACER	1
27	203081	CAMSHAFT IDLER GEAR 2 SHAFT	1
28	203080	CAMSHAFT IDLER GEAR SHAFT	1
29	203075	CAMSHAFT IDLER GEAR ASSY	1
29.1	S00002050	CAMSHAFT IDLER GEAR SHAFT BUSHING	1
30	S00000090	HOUSING, GEAR	1
31	202727	SEAL RING, OIL FILLER	1
32	203068	COVER, OIL FILLER	1
33	S00011477	SPACER RING	1
34	B00002021	HEXAGON BOLTS	2
35	204306	DOWEL PIN	4
36	203036	CRANKSHAFT SEAL, FRONT	1
37	B00002011	HEXAGON BOLTS	5
38	B00004880	HEXAGON BOLTS	3
39	203076	CAMSHAFT IDLER GEAR 2 ASSY	1
39.1	S00002365	CAMSHAFT IDLER GEAR 2 BUSHING	1
40	204349	AIR COMPRESSOR IDLER GEAR ASSY	1
40.1	S00002474	AIR COMPRESSOR IDLER GEAR BUSHING	1
41	203079	AIR COMPRESSOR IDLER GEAR SHAFT	1
42	B00004378	HEXAGON SOCKET HEAD CAP SCREW	3
43	B00001706	HEX SOCKET PIPE PLUG	1

Intake / Exhaust Group



Intake / Exhaust Group



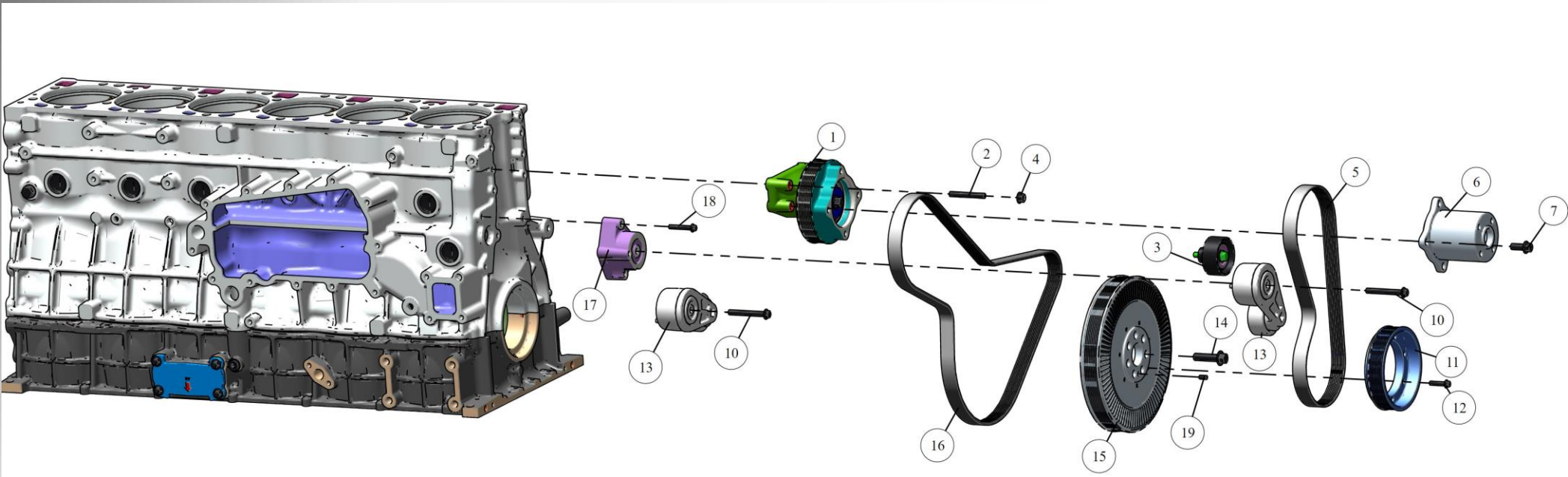
Intake / Exhaust Group

Item No	Part Number	Description	Qty
1	B00002145	HEXAGON BOLTS	16
2	B00002158	HEXAGON BOLTS	2
3	202479	AIR INTAKE PIPE (*For Prime application, order (1) 201961 – 1/2” Pipe Plug)	1
4	202996	GASKET, AIR INTAKE PIPE	1
5	202997	GASKET, AIR INTAKE PIPE	5
6	203140	GASKET, EXHAUST MANIFOLD	6
7	202480	EXHAUST MANIFOLD (FRONT AND REAR)	2
8	S00004573	EXHAUST PIPE BOLT SPACER	24
9	S00004063	BOLT EXHAUST MANIFOLD	24
10	202481	INTERMEDIATE PART, EXHAUST MANIFOLD	1
11	S00006948	HEAT SHIELD (FRONT)	1
12	D13-318-02	HEXAGON BOLTS	8
13	S00014469	HEAT SHIELD (FRONT)	1
14	200877	GASKET, INLET-TURBINE	1
15	202560	TURBOCHARGER ASSY	1
16	204307	BANJO BOLT	6
17	204308	WASHER	11
18	S00029571	OIL INLET PIPE ASSY, TURBOCHARGER	1

Item No	Part Number	Description	Qty
19	204310	COPPER WASHER	2
20	204298	WASHER	2
21	S00031316	WATER OUTLET PIPE JOINT, TURBOCHARGER	2
22	S00030158	WATER OUTLET PIPE ASSY, TURBOCHARGER	1
23	S00014225	TURBOCHARGER SELF-LOCKING NUT	4
24	S00001481	STUD	4
25	B00001808	ENLARGED ROUGH WASHER	4
26	S00024134	HEAT SHIELD, TURBOCHARGER	1
27	B00002113	HEXAGON BOLTS	4
28	203253	GASKET, OIL RETURN PIPE	1
29	203104	TURBOCHARGER OIL RETURN TUBE ASSY	1
30	B00005557	HEXAGON BOLTS	2
31	203253	GASKET, OIL RETURN PIPE	1
32	B00005507	HEXAGON BOLTS	2
33	B00001847	COPPER WASHER	1
35	S00015244	WATER INLET PIPE JOINT, TURBOCHARGER	1
36	S00031342	WATER INLET PIPE ASSY, TURBOCHARGER	1
37	B00002188	PIPE JOINT BODY	6

[For Turbocharger Kit, see pg. 52](#)

Front Drive Group

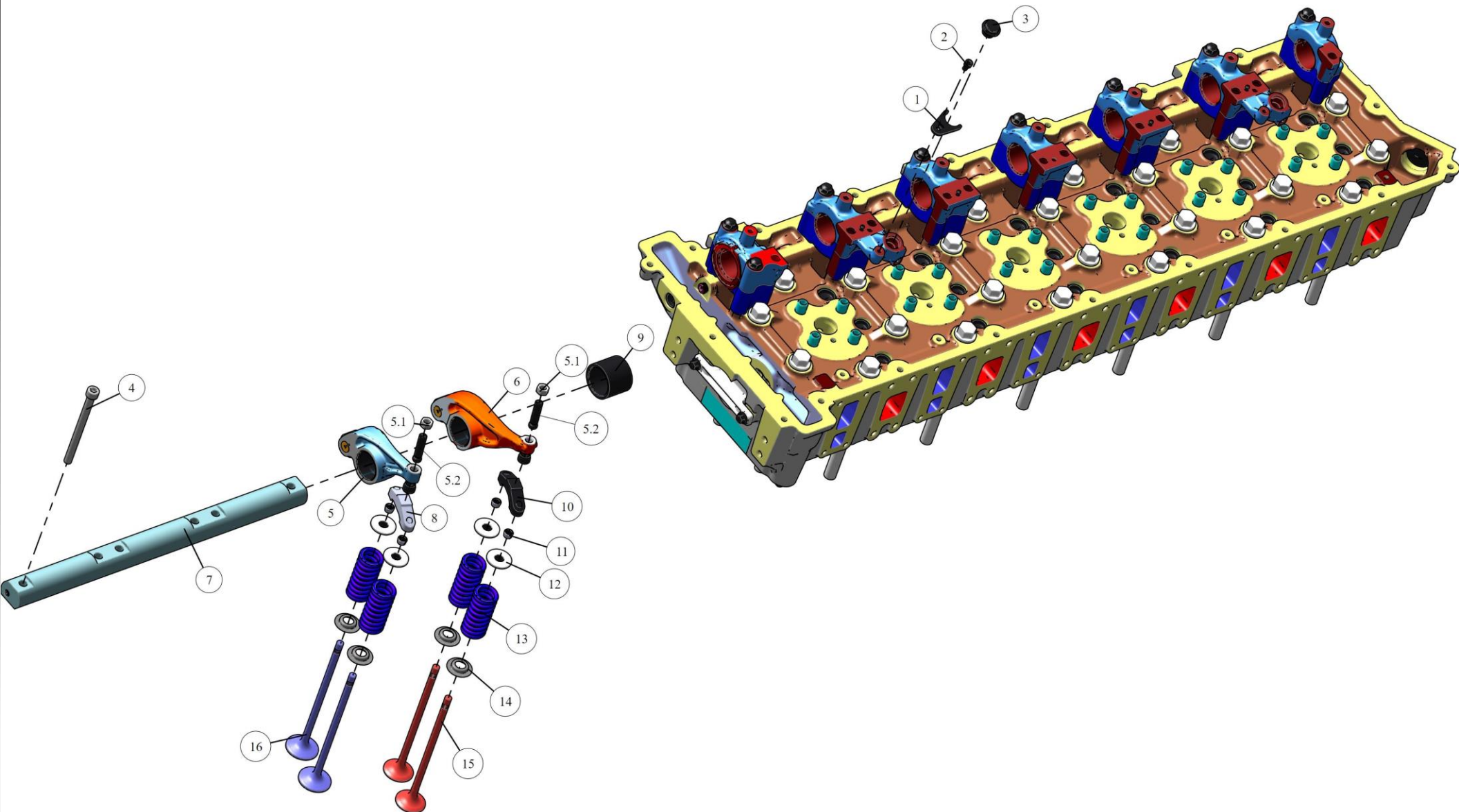


Front Drive Group



Item No	Part Number	Description	Qty
1	203119	FAN BEARING HOUSING	1
2	204319	STUD	4
3	203115	IDLER ASSY	1
4	B00000833	HEXAGON NUTS WITH FLANGE-FINE PITCH THREAD	4
5	202545	MICRO-V BELT	1
6	S00013385	SPACER, FAN	1
7	B00005532	HEXAGON BOLTS	4
10	B00004630	HEXAGON BOLTS	2
11	203117	PULLEY, CRANKSHAFT	1
12	B00004163	HEXAGON BOLTS	7
13	203116	TENSIONER ASSY	2
14	203045	CRANKSHAFT DAMPER BOLT	7
15	203044	CRANKSHAFT DAMPER ASSY	1
16	202544	BELT, FAN	1
17	204320	BRACKET, TENSIONER	1
18	B00004373	HEXAGON BOLTS	3
19	204303	PARALLEL PINS	1

Valve Group

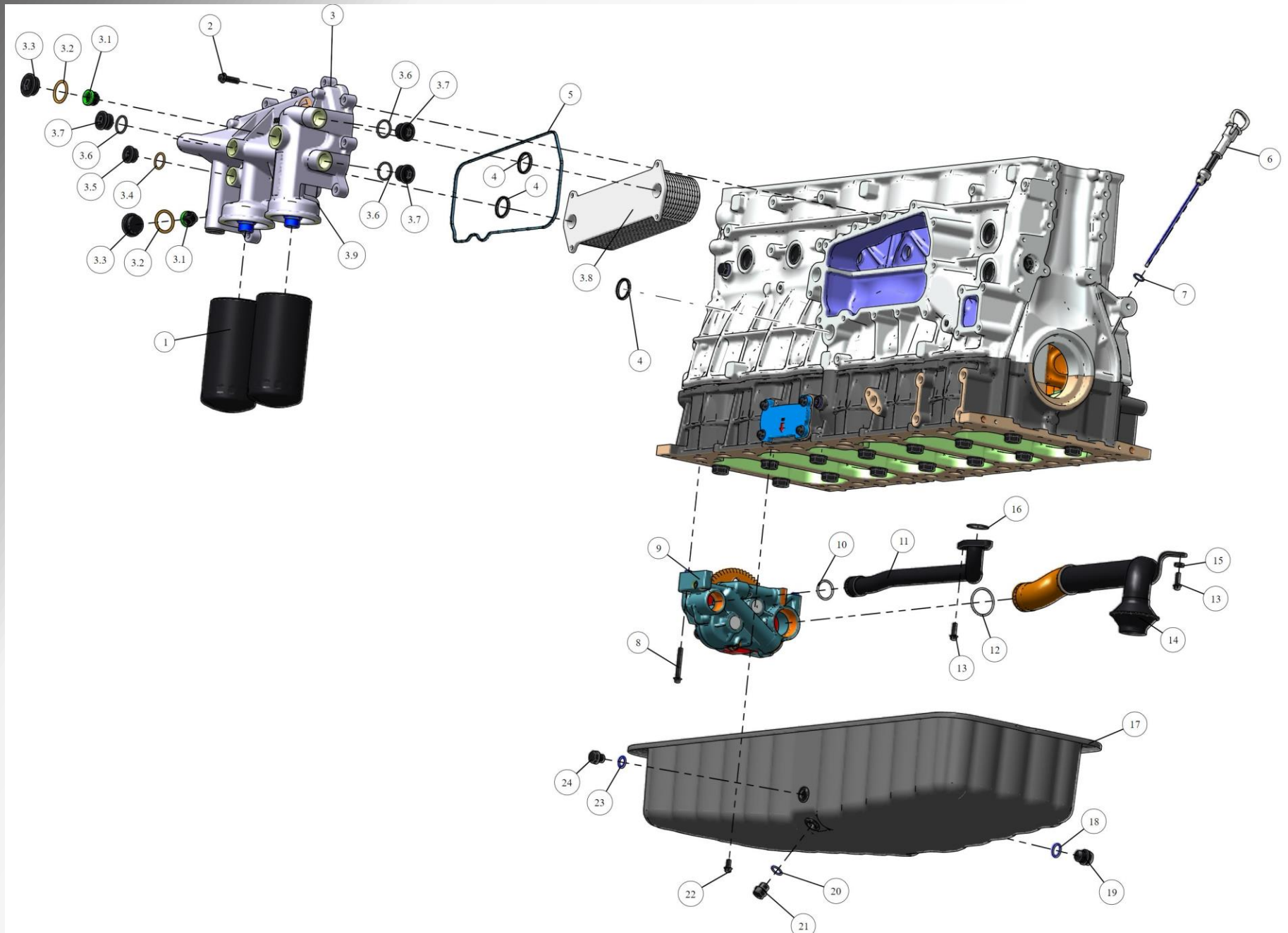


Valve Group



Item No	Part Number	Description	Qty
1	S00004501	CLAMP	2
2	B00000896	HEXAGON SOCKET HEAD CAP SCREW	2
3	204311	PLUG, SOLENOID VALVE	2
4	203083	BOLT, ROCKER ARM	12
5	203084	ROCKER ARM ASSY, INTAKE	6
5.1	S00002302	LOCK NUT	2
5.2	S00001651	ROCKER ADJUSTING BOLT	2
6	203085	ROCKER ARM ASSY, EXHAUST	6
7	204312	SHAFT ASSY, ROCKER ARM	2
8	203092	VALVE BRIDGE, INTAKE	6
9	S00001448	SPACER	6
10	203093	VALVE BRIDGE, EXHAUST	6
11	203089	VALVE COLLET	48
12	203088	VALVE SPRING RETAINER	24
13	203091	VALVE SPRING	24
14	203090	VALVE STEM SEAL	24
15	204250	VALVE, EXHAUST	12
16	204249	VALVE, INTAKE	12

Lubrication Group



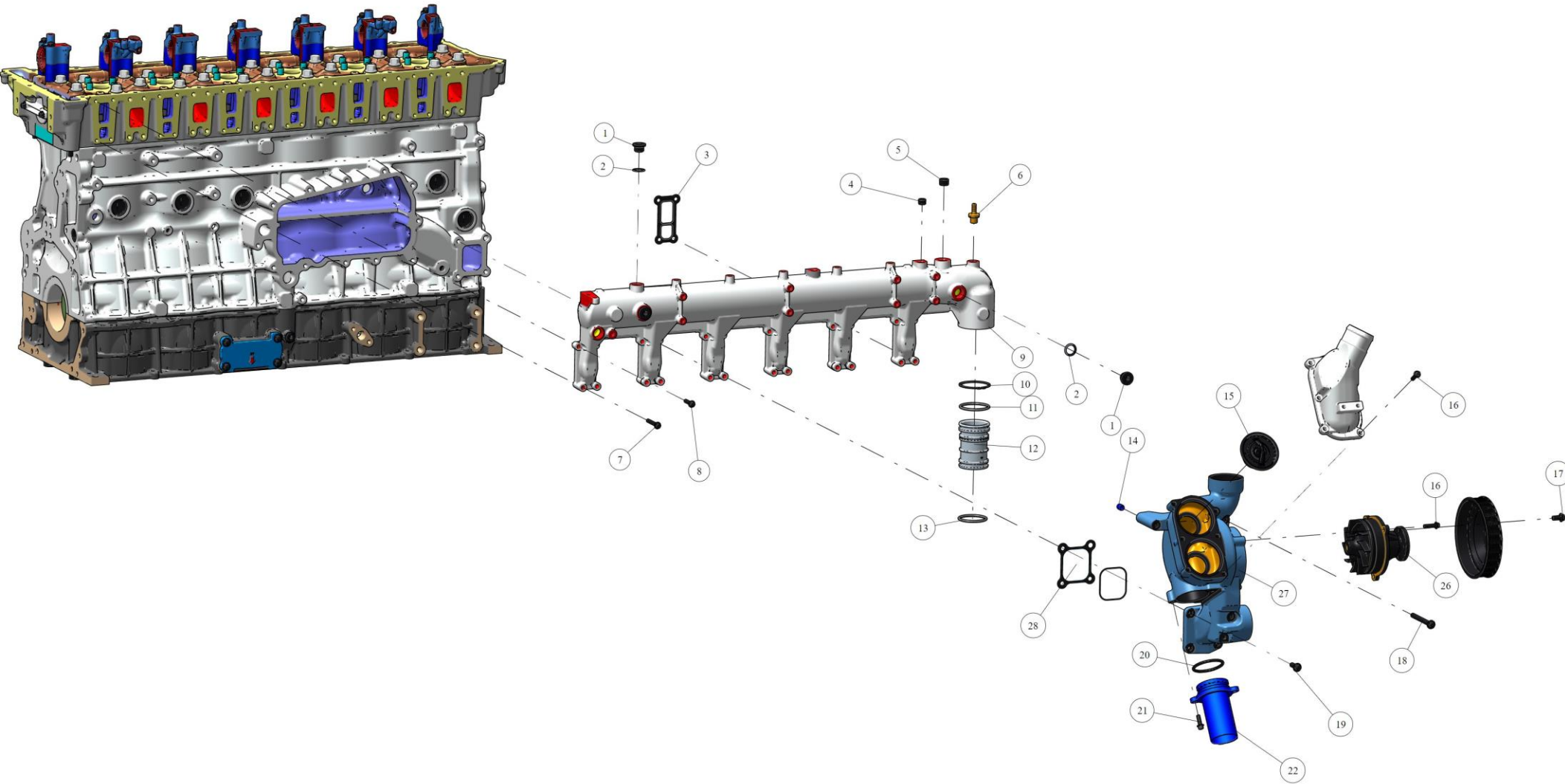
Lubrication Group



Item No	Part Number	Description	Qty
1	202542	OIL FILTER ASSY	2
2	B00004354	HEXAGON BOLTS WITH FLANGE	13
3	203103	BASE ASSY, OIL COOLER	1
3.1	S00002504	BYPASS VALVE ASSY, OIL COOLER	2
3.2	S00002412	OIL COOLER BASE SEALING RING	2
3.3	S00002109	HEX SOCKET PIPE PLUG	2
3.4	S00006206	OIL COOLER BASE SEALING RING	1
3.5	S00006151	HEX SOCKET PIPE PLUG	1
3.6	S00007597	COPPER WASHER	4
3.7	S00007596	HEX SOCKET PIPE PLUG	4
3.8	S00007938	OIL COOLER	1
3.9	S00007605	BASE, OIL COOLER	1
4	203101	O-RING	4
5	203102	OIL COOLER BASE SEALING RING	1
6	203109	OIL DIPSTICK AND TUBE ASSY	1
7	204321	COPPER WASHER	1
8	B00004560	HEXAGON BOLTS WITH FLANGE	3
9	203097	OIL PUMP ASSY	1

Item No	Part Number	Description	Qty
10	203099	O-RING	1
11	204354	FUEL SUPPLY TUBE ASSY (WELDED)	1
12	203100	O-RING	1
13	B00002137	HEX HEAD BOLT WITH FLANGE	4
14	204355	OIL SUCTION PIPE ASSY, OIL SUCT	1
15	S00006959	SPACER	2
16	204356	O-RING SEAL	1
17	204357	OIL PAN ASSY	1
18	B00001839	COPPER WASHER	1
19	B00001730	HEXAGON PLUG SCREW	1
20	B00001831	COPPER WASHER	1
21	B00001728	HEXAGON PLUG SCREW	1
22	B00004896	HEXAGON BOLTS WITH FLANGE	37
23	B00001829	COPPER WASHER	1
24	B00001727	HEXAGON PLUG SCREW	1

Cooling System

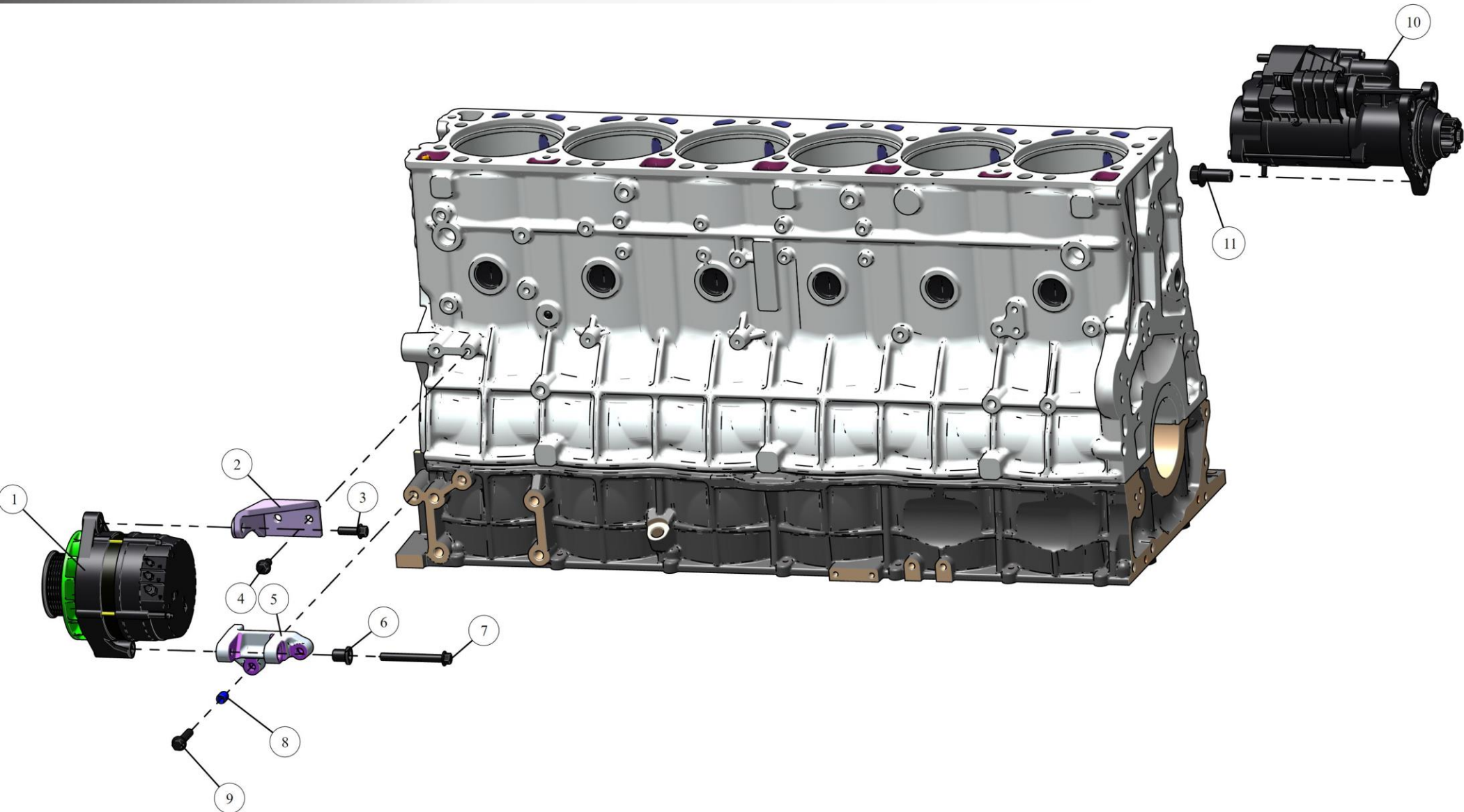


Cooling System



Item No	Part Number	Description	Qty
1	B00001707	HEX SOCKET PIPE PLUG	3
2	204266	COMBINED TYPE SEAL HARD GASKET	3
3	202998	WATER RETURN MANIFOLD GASKET	6
4	B00004769	INNER HEXAGON TAPERED SCREW PLUG	1
5	B00005092	INNER HEXAGON TAPERED SCREW PLUG	1
6	S00007296	BLEEDING JOINT	1
7	B00004374	HEXAGON BOLTS	12
8	B00004163	HEXAGON BOLTS	12
9	204352	WATER RETURN MANIFOLD	1
10	B00004684	CIRCLIP FOR SHAFT-TYPE A	1
11	203110	O-RING	1
12	204353	WATER PUMP RETURN ADAPTER	1
13	203111	O-RING	1
14	204322	DOWEL SLEEVE	2
15	203114	THERMOSTAT ASSY	2
16	B00004632	HEXAGON BOLTS	9
18	B00004669	HEXAGON BOLTS	3
19	B00004352	HEXAGON BOLTS	3
20	204259	O-RING	1
21	B00005559	HEXAGON BOLTS	2
22	203689	FITTING-LOWER COOLANT PIPE - MODIFIED	2
27	203113	WATER PUMP ASSY	1
28	203112	WATER PUMP OUTLET GASKET	1

Electrical Group

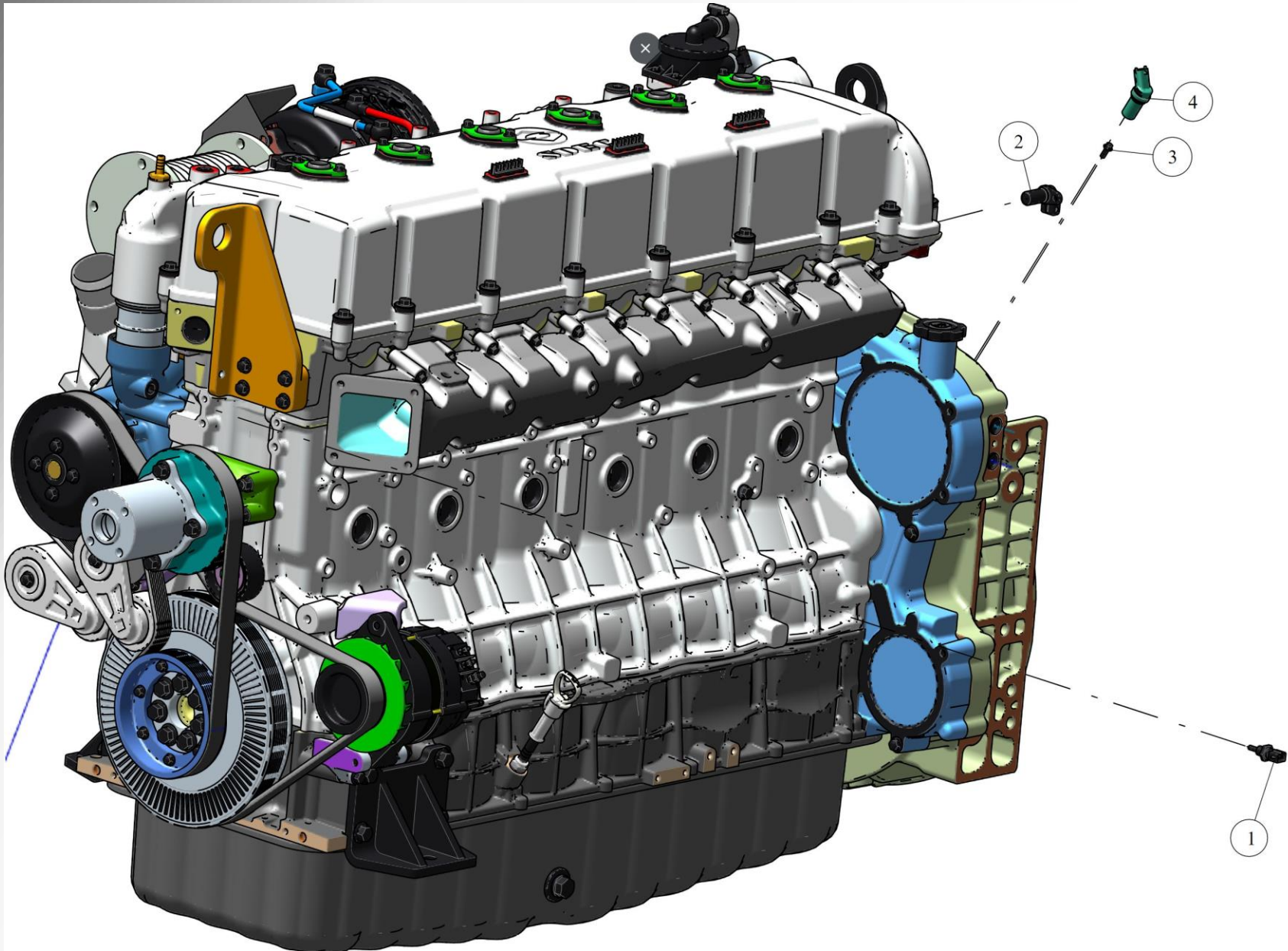


Electrical Group

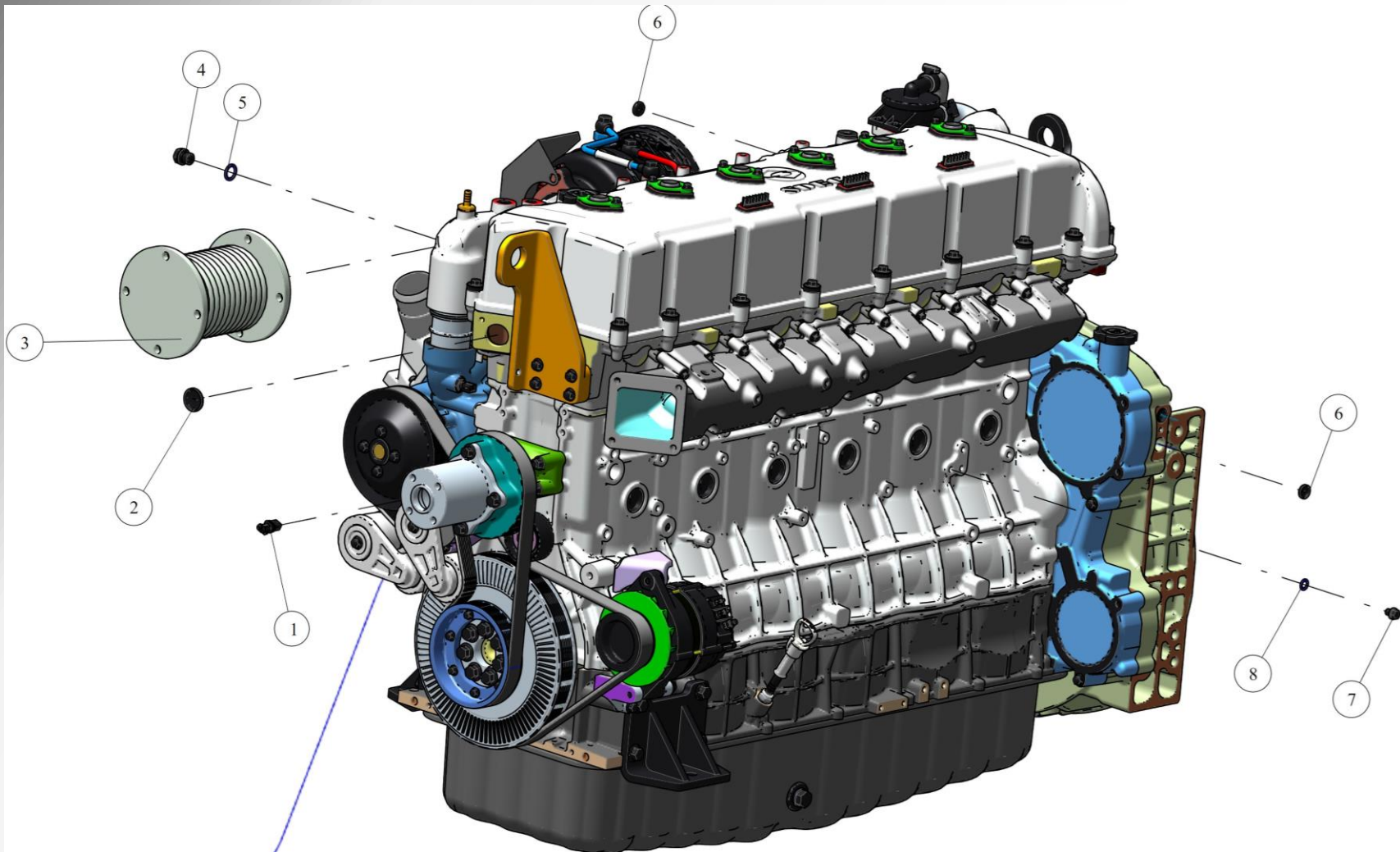


Item No	Part Number	Description	Qty
1	203121	ALTERNATOR	1
2	204350	ALTERNATOR BRACE ASSY (WELDED)	1
3	B00005510	HEXAGON BOLTS WITH FLANGE	1
4	B00005507	HEXAGON BOLTS WITH FLANGE	2
5	204351	ALTERNATOR BRACKET	1
6	S00001851	SPACER, ADJUSTING SLEEVE-ALTERNATOR	1
7	B00005691	HEXAGON BOLTS WITH FLANGE	1
8	204322	DOWEL SLEEVE	2
9	B00005715	HEXAGON BOLTS WITH FLANGE	2
10	203120	STARTER	1
11	B00005545	HEXAGON BOLTS WITH FLANGE	3

Control Group



Miscellaneous Parts

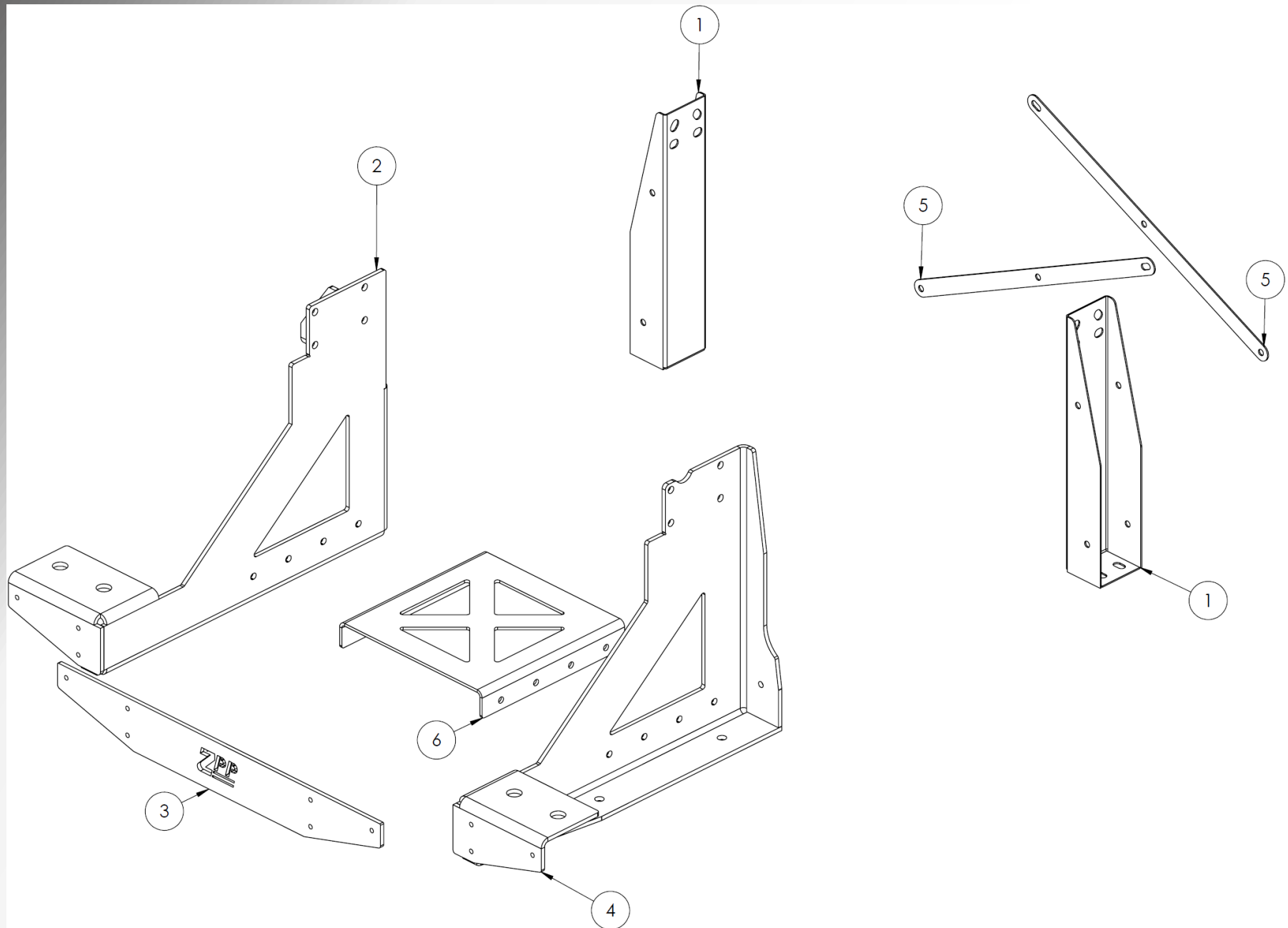


Miscellaneous Parts

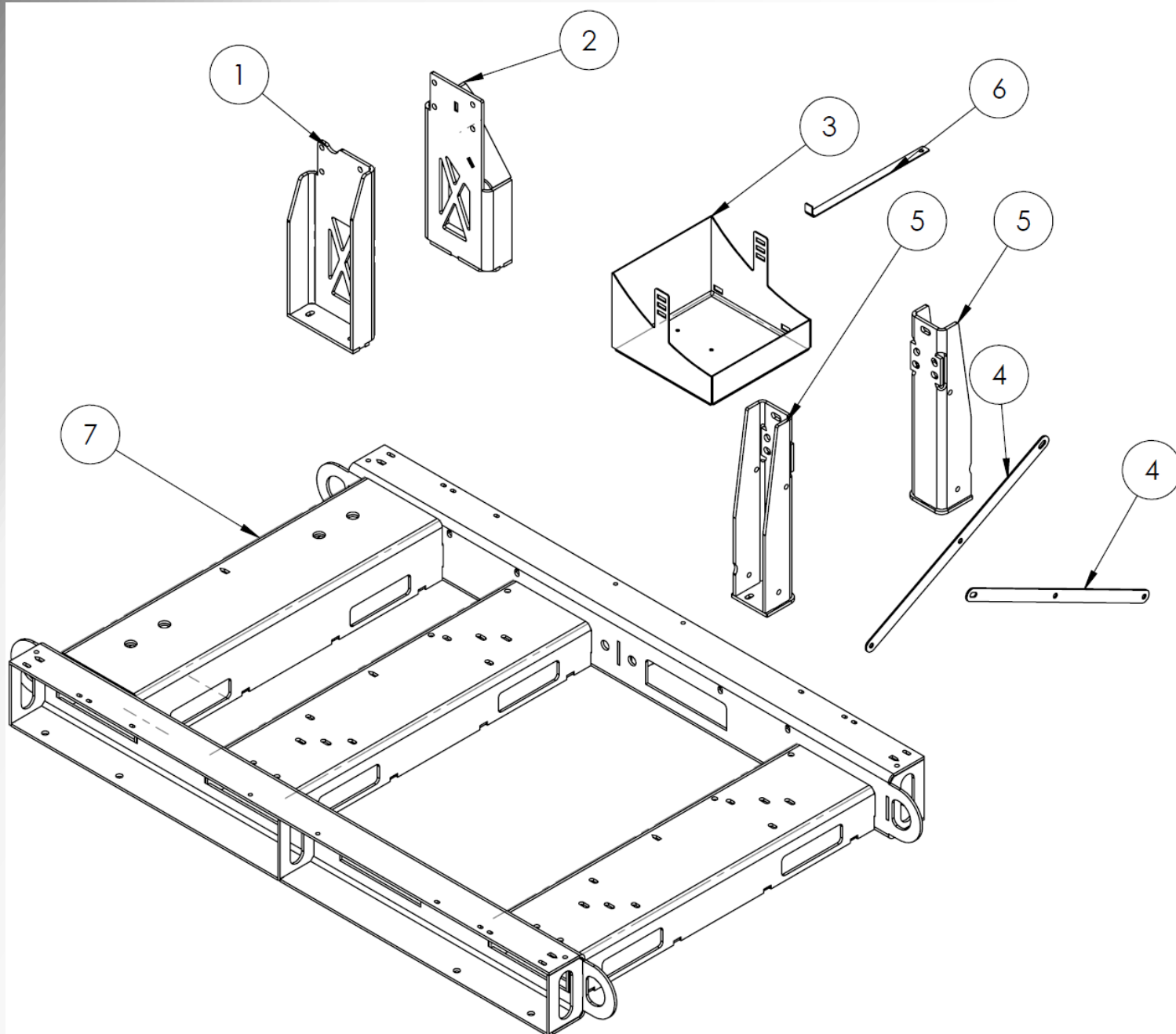


Item No	Part Number	Description	Qty
1	203166	STARTING MOTOR CONNECTOR	1
2	204323	PLUG (Φ36.4)	1
3	202635	EXPANSION CONNECTOR	1
4	B00001728	HEXAGONAL HEAD SCREW PLUG	1
5	B00001832	COPPER WASHER	1
6	202655	BULKHEAD	5
7	B00001724	HEXAGONAL HEAD SCREW PLUG	1
8	B00001815	COPPER WASHER	1
9	S00024311	TURBOCHARGER OIL DRAIN HOLE PLUG	6

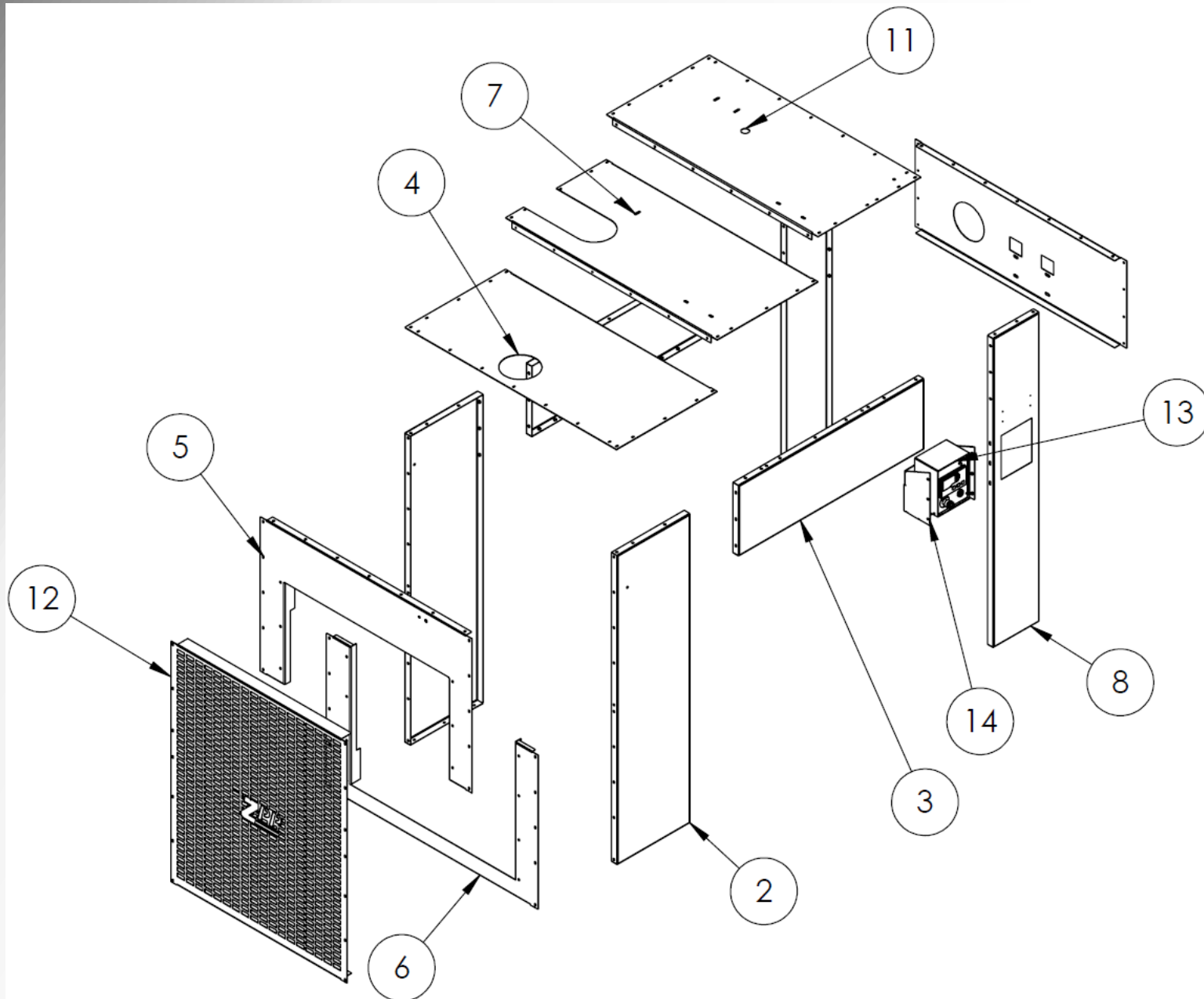
Engine Base – OPU



Skid Base



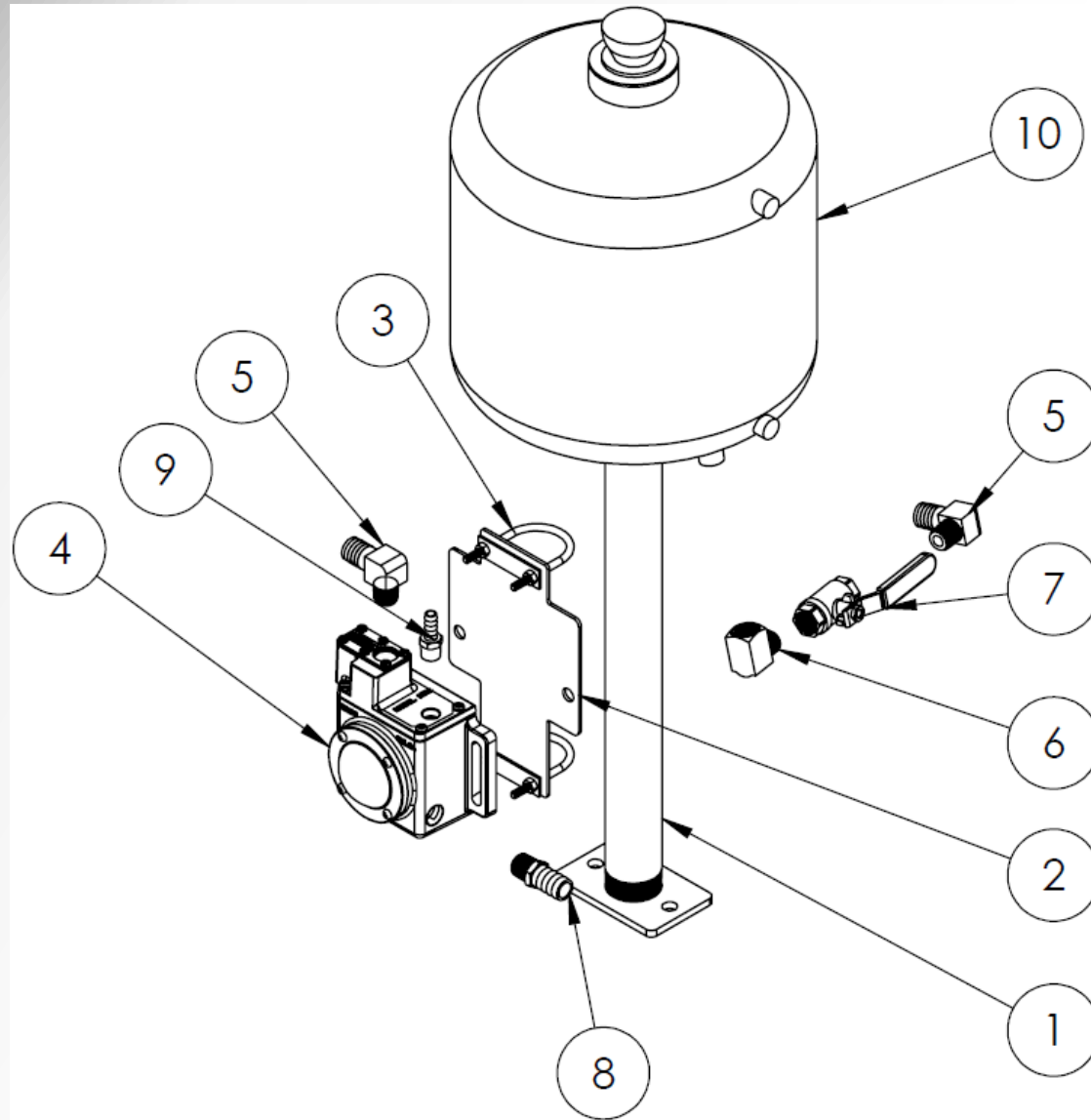
Enclosure Panels



Enclosure Panels

Item No	Part Number	Description	Qty
1	202011	PANEL - RIGHT SIDE FRONT	1
2	202012	PANEL - LEFT SIDE FRONT	1
3	202018	PANEL - SIDE MIDDLE	2
4	202193	PANEL - ROOF FRONT	1
5	202235	PANEL - FRONT TOP	1
6	202208	PANEL - FRONT BOTTOM	1
7	202024	PANEL - ROOF MIDDLE	1
8	202015	PANEL - LEFT SIDE REAR	1
9	202190	PANEL - REAR	1
10	202016	PANEL - RIGHT SIDE REAR	1
11	202194	PANEL - ROOF REAR	1
12	202023	PANEL - STONE GUARD	1
13	204257	DYNAGEN NEMA PANEL – TE410 24V	1
14	204366	SADDLE BRACKET – DYNAGEN NEMA	1

Oil Leveler System

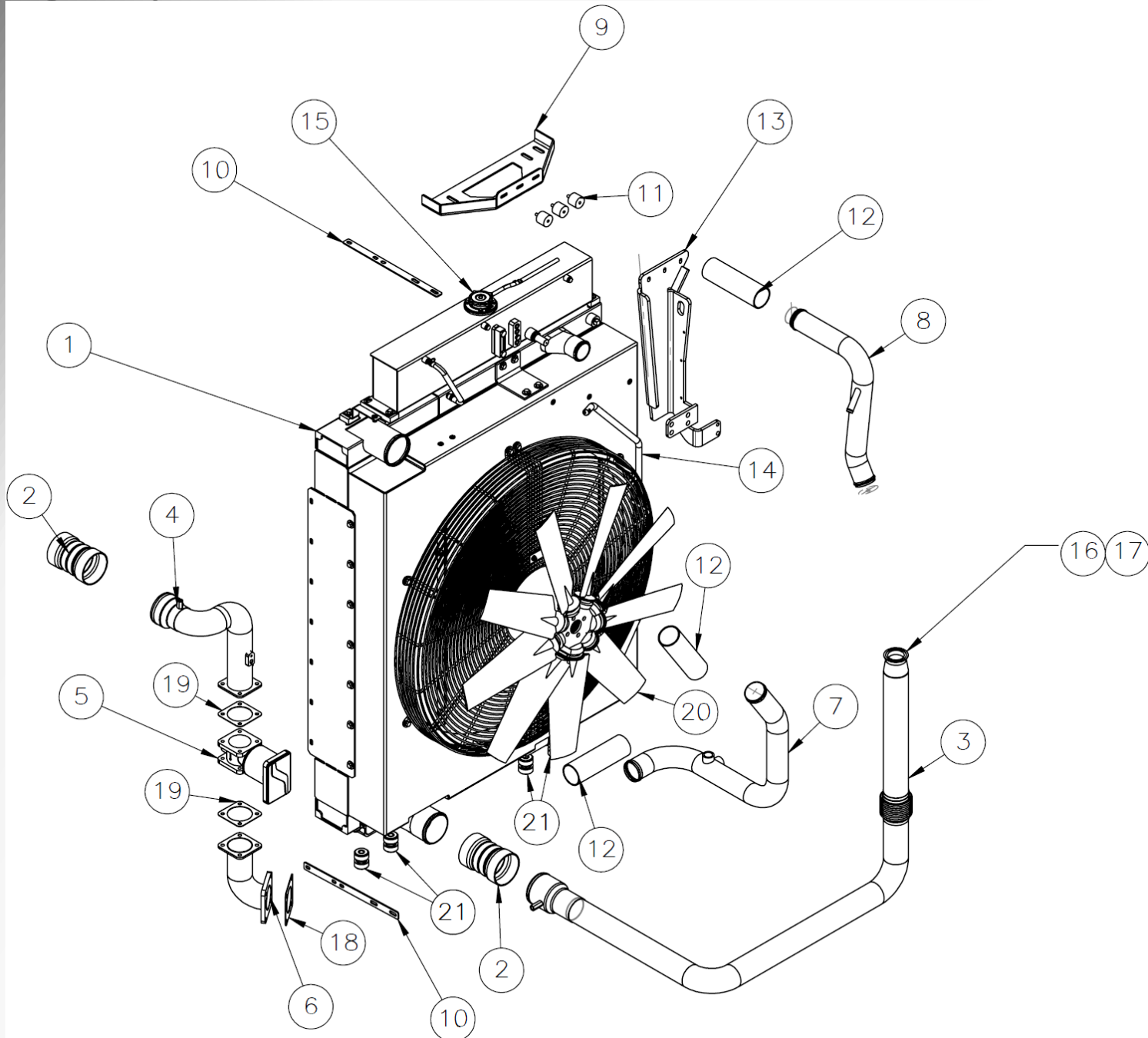


Oil Leveler System



Item No	Part Number	Description	Qty
1	200021	OIL SUPPLY TANK STAND	1
2	202937	OIL LEVELER MOUNT BRACKET	1
3	204092	U-BOLT: 2"ID X 3.25" LONG	2
4	200022	OIL LEVELER CONTROLLER	1
5	201505	BRASS ELBOW – 1/2NPT X 3/4 HOSE	2
6	200191	BRASS ELBOW – 1/2NPT STREET ELL	1
7	200163	BRASS SHUT OFF VALVE	1
8	200161	BRASS FITTING – 1/2NPT X 3/4 HOSE	1
9	201728	BRASS FITTING – 3/8NPT X 3/8 HOSE	1
10	200020	OIL SUPPLY TANK – 5 GAL	1

Cooling System

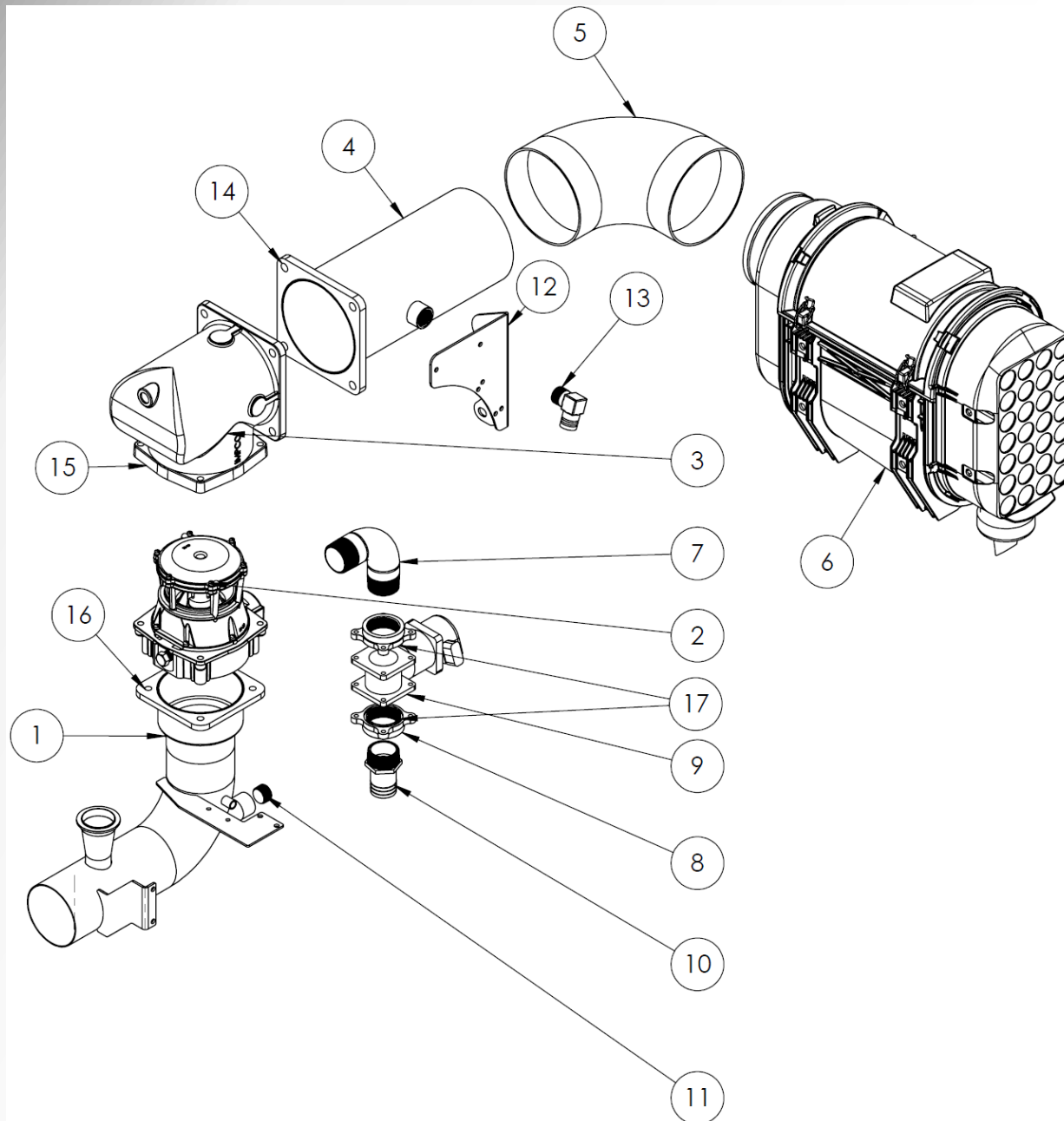


Cooling System



Item No	Part Number	Description	Qty
1	202304	RADIATOR-CAC ASSEMBLY - 300HP	1
2	201061	4" REINFORCED SILICONE COUPLER	2
3	203289	HOT CAC PIPE	1
4	203290	COLD CAC PIPE	1
5	202636	THROTTLE BODY	1
6	202598	THROTTLE BODY TO INTAKE MAN. PIPE	1
7	203292	BOTTOM WATER PIPE	1
8	203291	TOP WATER PIPE	1
9	203838	TOP SUPPORT RADIATOR BRACKET	1
10	203608	CAC PIPE BRACKET	2
11	201488	ISOLATOR	3
12	202130	2 1/2 INCH STICK HOSE – 6 INCH LENGTH	3
13	203837	VERTICAL SUPPORT BRACKET	1
14	202118*	3/4" ID HEATER HOSE	6'
15	204399	DEGAS TANK CAP	1
16	202604	V-BAND CLAMP	1
17	202508	O-RING	1
18	202552	GASKET – INTAKE MANIFOLD	1
19	202640	GASKET - THROTTLE	2
20	202446	PUSHER FAN	1
21	202995	ISOLATOR – WHITE DOT	4
* 202118 REPLACES 203479 – RADIATOR STATIC PIPE			

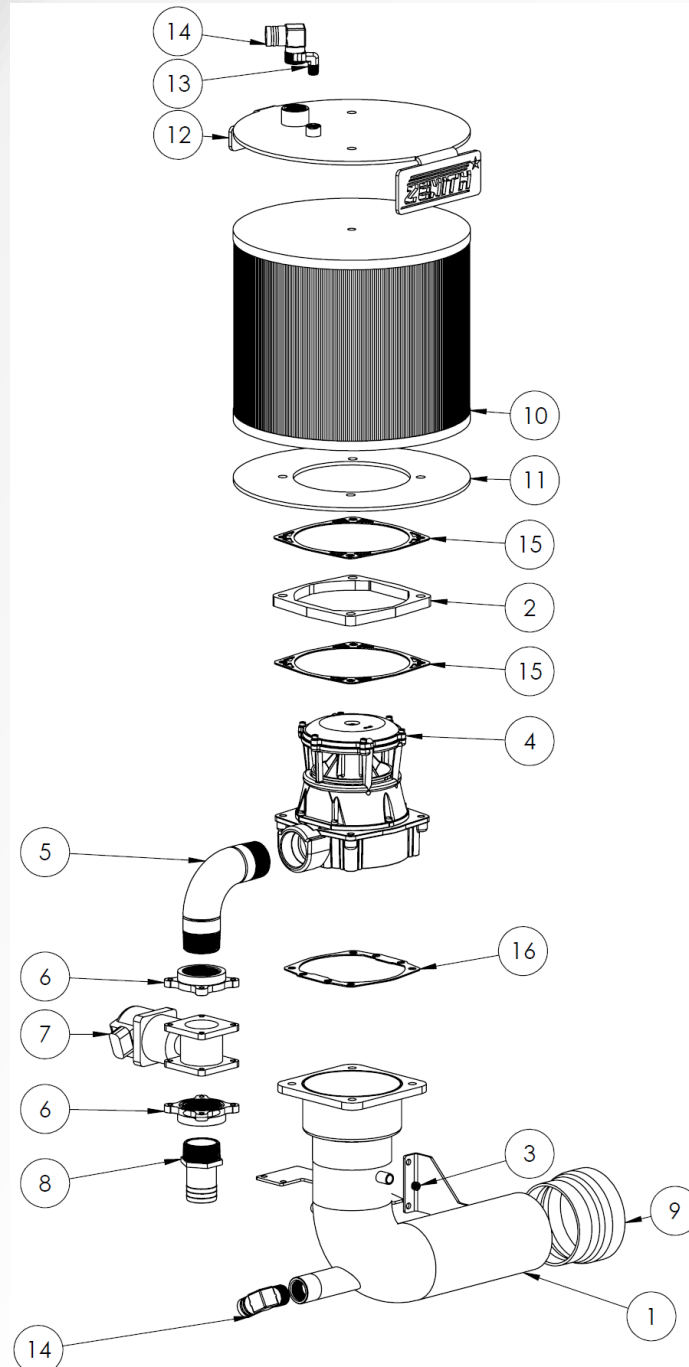
Intake System - Enclosure



Intake System - Enclosure

Item No	Part Number	Description	Qty
1	202070	INTAKE ASSEMBLY PIPE	1
2	202478	600XM-2 MIXER	1
3	203185	600XM AIR HORN	1
4	203193	AIRHORN INTAKE PIPE	1
5	203195	EPDM ELBOW	1
6	202448	DONALDSON AIR CLEANER	1
7	202629	FITTING: TRIM VALVE TO MIXER ELBOW	1
8	202589	THROTTLE FLANGE	2
9	201477	FUEL CONTROL VALVE	1
10	202877	FITTING: 1.5NPT X 1.5 HOSE	1
11	201962	3/4" STEEL PIPE PLUG	1
12	203262	BRACKET – dP SENSOR	1
13	201510	FITTING: 3/4 NPT X 1 HOSE	1
14	204247	GASKET: AIR HORN TO AIR CLEANER	1
15	202550	GASKET: MIXER TO AIR HORN	1
16	202549	GASKET: INTAKE PIPE TO MIXER	1
17	203303	O-RING: 2.25IN OD BUNA-N	2
	202088	SILICONE REDUCER: 4.5" X 4" (NOT PICTURED)	1

Intake System - OPU

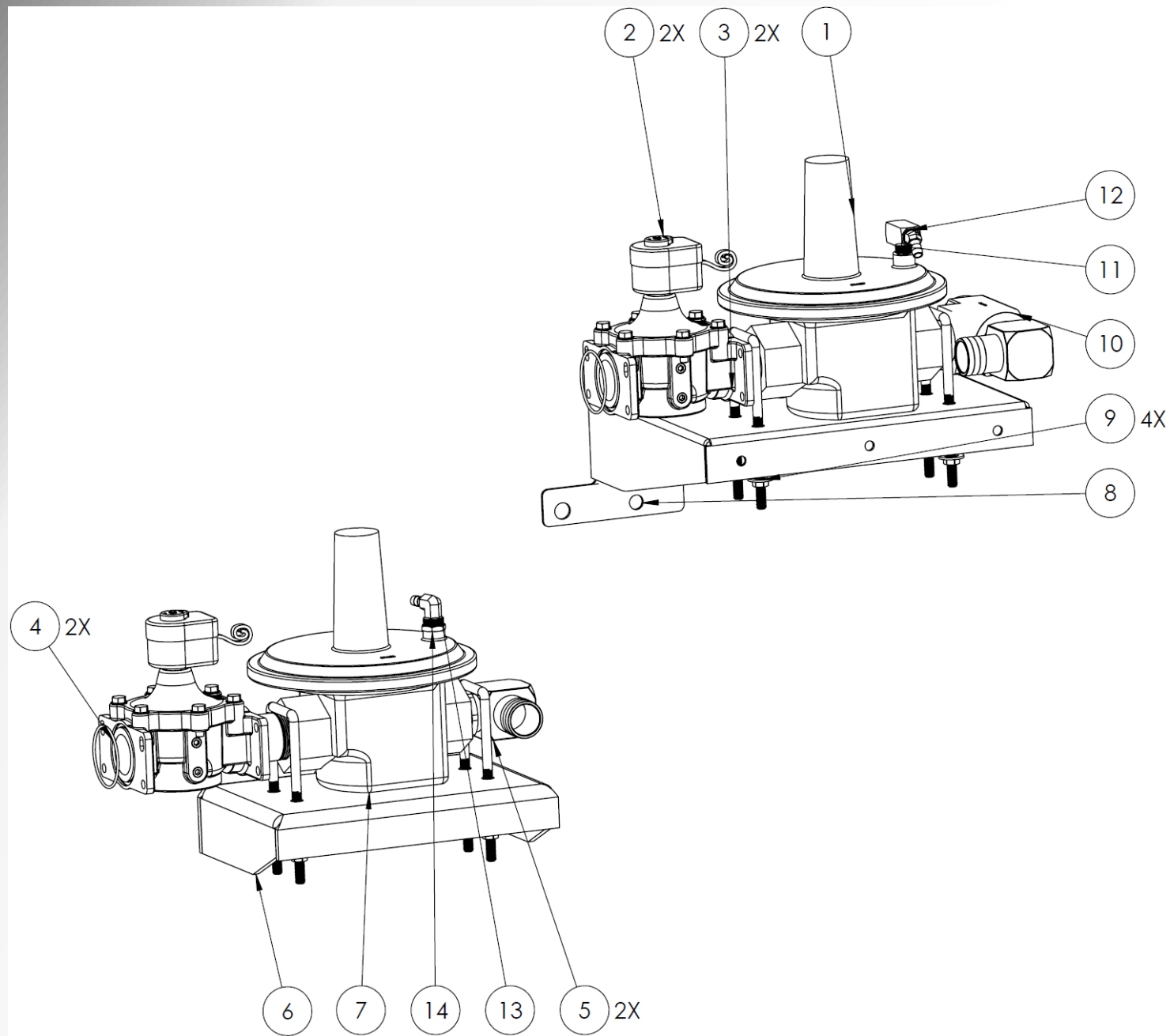


Intake System - OPU



Item No	Part Number	Description	Qty
1*	203725	AIR INTAKE PIPE – NON EGR	1
1*	202070	AIR INTAKE PIPE – WITH EGR	
2	202068	FLANGE: MIXER TO AIR FILTER	1
3	201956	PIPE PLUG - 3/8"	1
4	202478	600XM-2 MIXER	1
5	202629	FITTING: TRIM VALVE TO MIXER	1
6	202589	FLANGE: THROTTLE	2
7	201477	FUEL CONTROL VALVE	1
8	202877	FITTING: 1.5" NPT - 1.5" HOSE	1
9	202088	SILICONE REDUCER - 4.5" - 4"	1
10	202519	AIR CLEANER ELEMENT	1
11	202537	AIR CLEANER BOTTOM PLATE	1
12	202536	AIR CLEANER TOP PLATE	1
13	201751	FITTING: 1/4 NPT TO 3/8 HOSE - 90 DEG	1
14	201510	FITTING: 3/4 NPT TO 1" HOSE - 90 DEG	2
15	202550	GASKET - MIXER TO AIR CLEANER	2
16	202549	GASKET - MIXER TO INTAKE PIPE	1

Fuel System – Bi-Fuel

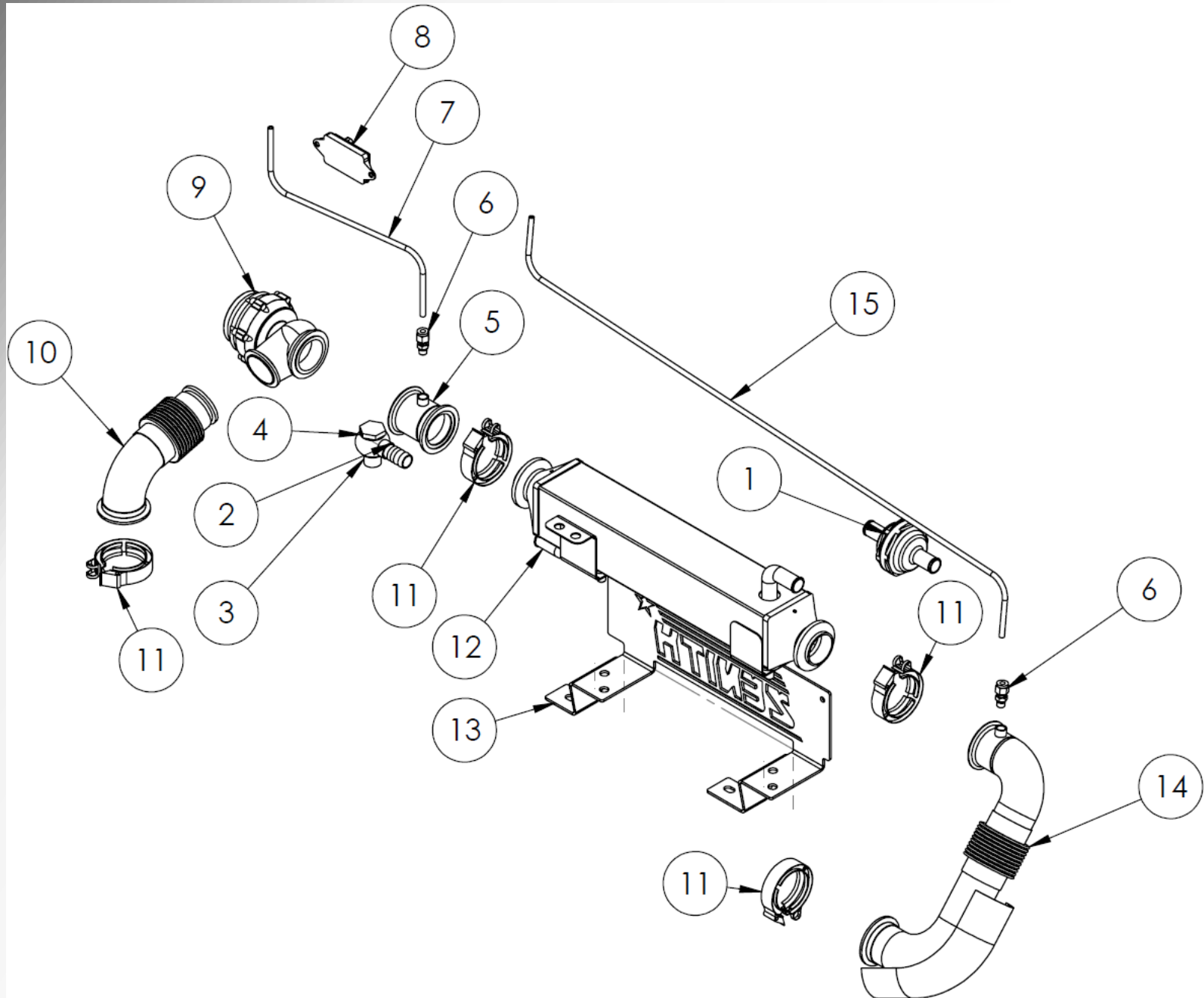


Fuel System



Item No	Part Number	Description	Qty
1	201431	REGULATOR: NG – MAXITROL 210EF	1
2	200675	LOCK-OFF: ASCO 1-1/2 NPT 24VDC	2
3	202939	FITTING, NIPPLE, STEEL - 1.5" NPT X 3" LONG	2
4	200679	CONNECTING KIT: ASCO LOCK-OFF	2
5	202876	FITTING, STEEL – 1.5" HOSE BARB, 90° X 1.5" NPT	2
6	203619	BRACKET - FUEL SYSTEM, LOWER	1
7	203027	REGULATOR: LPG - MAXITROL 210EZF	1
8	202620	BRACKET - FUEL SYSTEM, UPPER - 6120	1
9	202942	U-BOLT - SQUARE - 2" INSIDE x 6.5" LONG	4
10	203310	TEE FITTING – 1.5" NPT	1
11	203663	FITTING, BRASS – 3/8 NPT INLINE TEE ADAPTER	1
12	200178	FITTING-HOSE BARB: 3/8 X 3/8 NPT MALE - 45°	1
13	202941	ELBOW, BRASS - 3/8" HOSE BARB x 1/2" MALE	1
14	201808	REDUCING BUSHING: 1/2 TO 3/8 NPT	1
	202128	VAPOR HOSE: 1 1/2 ID – (23 INCH LENGTH)	1
	202111	VACUUM HOSE: 3/8 ID – (25 INCH LENGTH)	1

EGR System

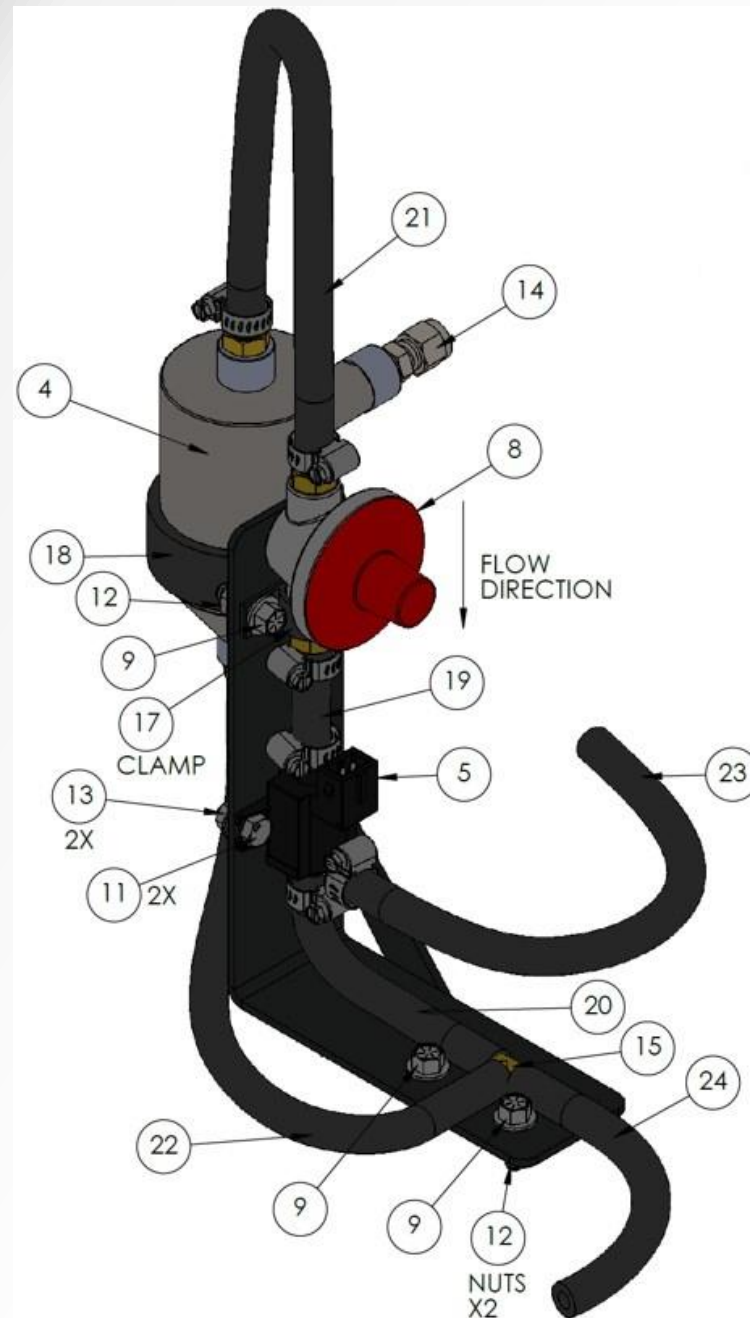


EGR System

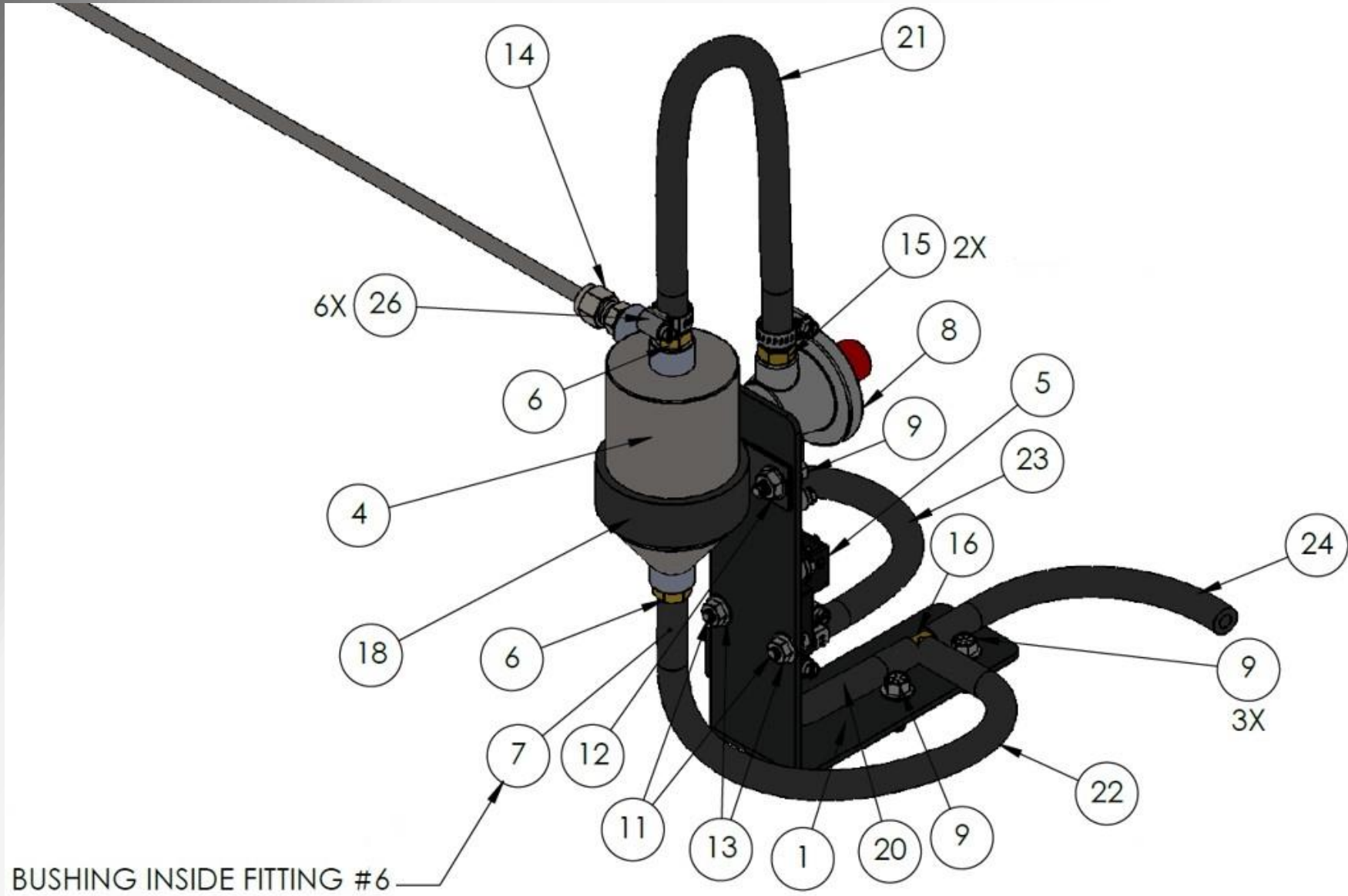


Item No	Part Number	Description	Qty
1	203898	INLINE THERMOSTAT: EGR COOLER	1
2	202934	BANJO FITTING – M22X1.5 – 3/4 BARB	1
3	202935	BANJO BOLT – M22X1.5	1
4	202936	BANJO WASHER 22MM	2
5	202625	EGR #2 PIPE ASSEMBLY	1
6	202872	COMPRESSION FITTING – 1/4 TUBE X 1/8 NPT	2
7	202618	EGR dP SENSOR TUBE – LOW SIDE	1
8	202583	EGR DELTA PRESSURE SENSOR	1
9	202556	EGR VALVE	1
10	202627	EGR #3 PIPE ASSEMBLY	1
11	202511	V-BAND CLAMP – 2IN OD	4
12	202314	EGR COOLER	1
13	202590	EGR BRACKET	2
14	202509	EGR COOLER INLET PIPE ASSEMBLY	1
15	202617	EGR dP SENSOR TUBE – HIGH SIDE	1

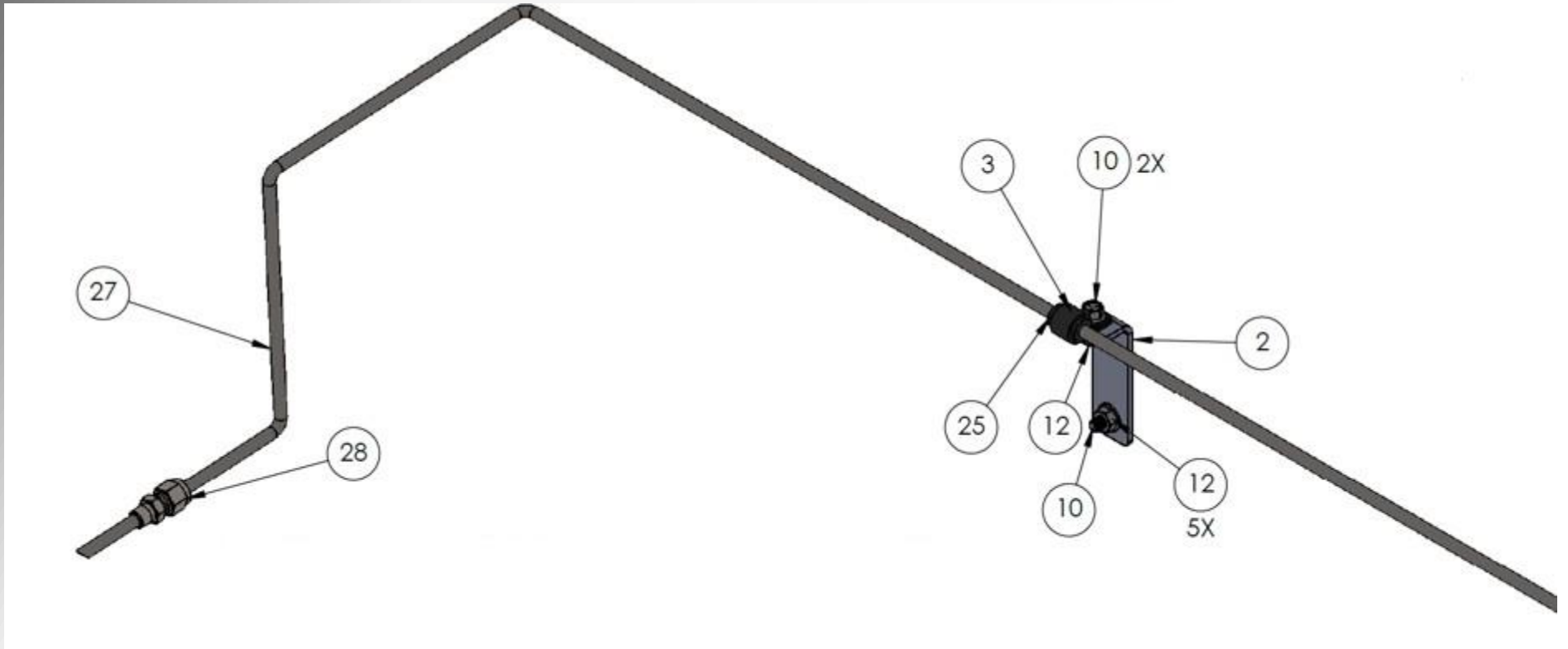
Water-Air Separator



Water-Air Separator – cont.



Water-Air Separator – cont.



Water-Air Separator

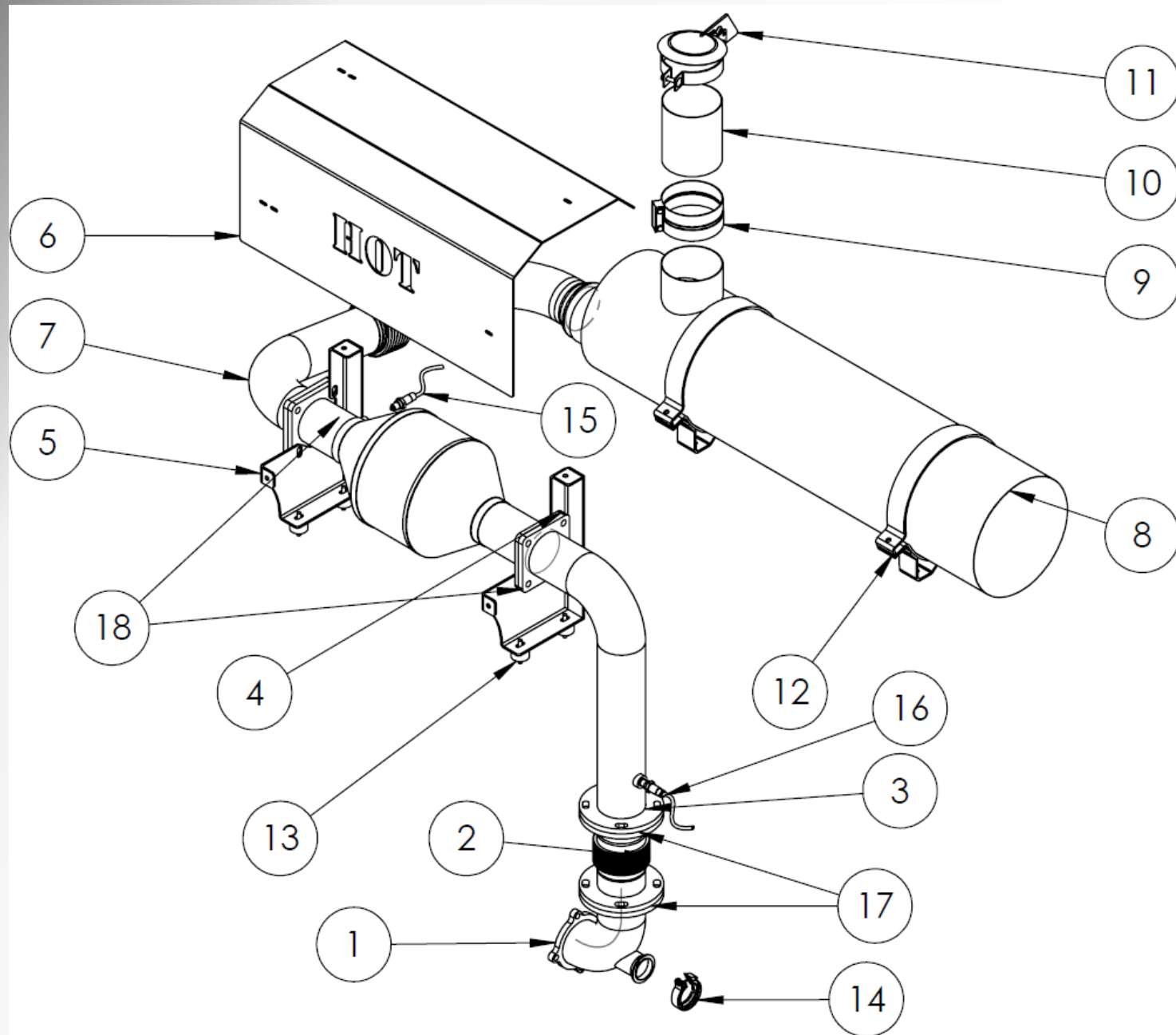


203739 - WATER-AIR SEPARATOR ASSEMBLY KIT

Item No	Part Number	Description	Qty
1	203640	BRACKET: EGR WATER-AIR SEPARATOR	1
2	203641	BRACKET: EGR LINE SUPPORT	1
3	200897	CLAMP: CABLE - 0.5"	1
4	203638	WATER-AIR SEPARATOR ASSEMBLY	1
5	202218	VALVE: BOOST CONTROL - 24V	1
6	201726	FITTING, 1/8 NPT X 1/4" BARB	2
7	202168	BUSHING: ORIFICE - DRILLED TO .042" ID	1
8	202555	PRESSURE REGULATOR 5PSI	1
9	201701	HHCS FLANGED 0.25-20 x .75	3
10	201700	HHCS FLANGED 0.25-20 x .625	2
11	203856	HHCS M6 x 1.0 x 14mm	2
12	201858	HEX NUT 1/4-20, FLANGED, SERRATED	5
13	202726	HEX NUT - M6 x 1.0 - SERRATED	2
14	202872	COMPRESSION FITTING, STRAIGHT, SS - 1/4 TUBE X 1/8 NPT	1

Item No	Part Number	Description	Qty
15	202898	HOSE BARB - 1/4 HOSE x 1/4 MALE NPT	2
16	203729	TEE - BRASS- 1/4 - HOSE	1
17	200900	CLAMP: CABLE - 0.75	1
18	200904	CLAMP: 2.25" RUBBER-COATED	1
19	200666	HOSE: 1/4" ID, 1.75" LONG	1
20	200666	HOSE: 1/4" ID, 4.5" LONG	1
21	200666	HOSE: 1/4" ID, 12.0" LONG	1
22	200666	HOSE: 1/4" ID, 10.5" LONG	1
23	200666	HOSE: 1/4" ID, 9.5" LONG	1
24	200666	HOSE: 1/4" ID, 6.0" LONG	1
25	200666	TUBE BUSHING: HOSE: 1/4" ID, .75"	1
26	201516	CLAMP: HOSE - #04	6
27	203639	1/4" STAINLESS STEEL TUBING - BENT	1
28	203642	COMPRESSION FITTING, STRAIGHT, SS - 1/4 TUBE X 1/8 NPT - BORED THRU	1

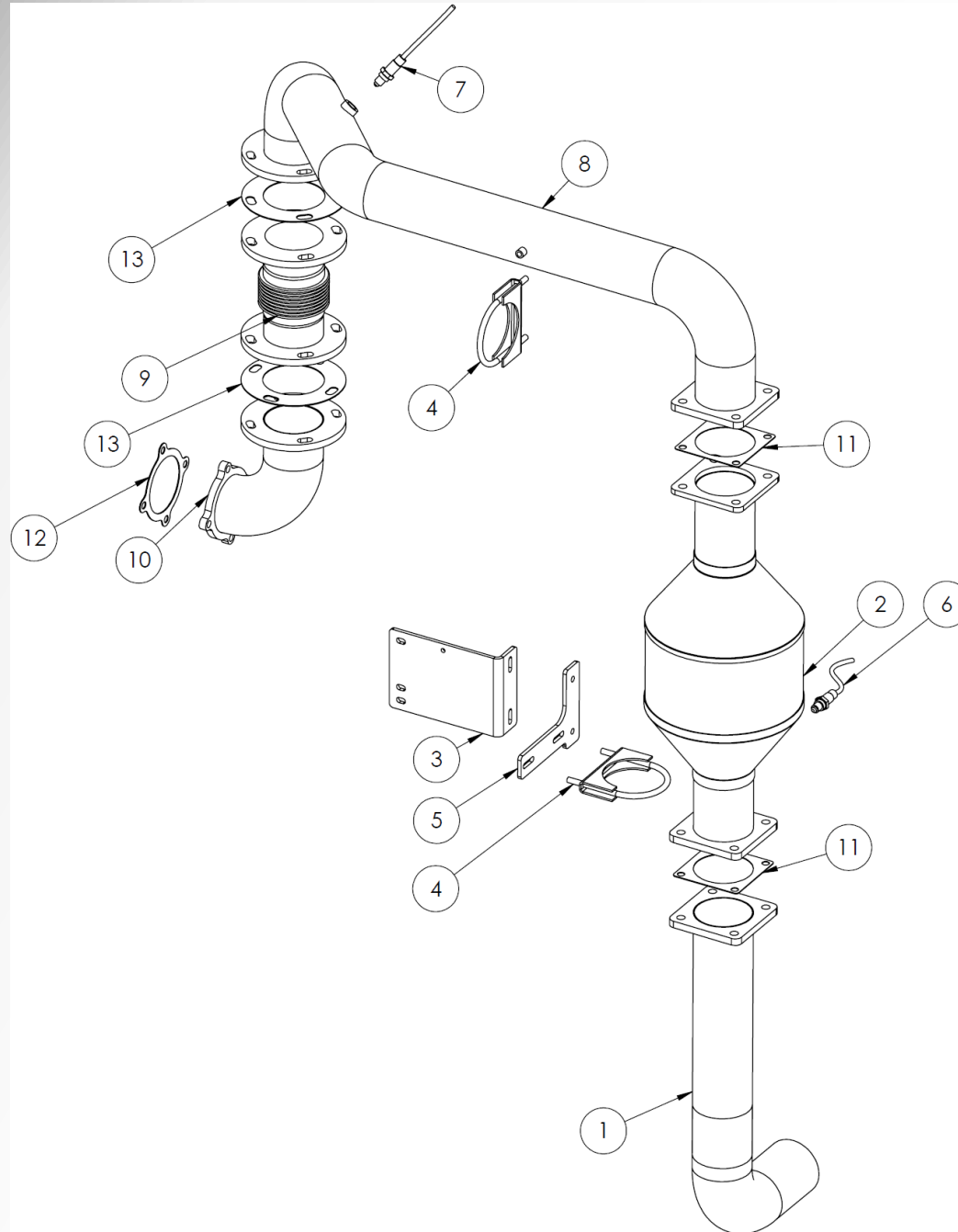
Exhaust System – Enclosure



Exhaust System – Enclosure

Item No	Part Number	Description	Qty
1	202490	TURBINE OUTLET WITH EGR PIPE	1
2	202635	BELLOWS-EXHAUST STACK FLEX CONNECTION	1
3	204089	PRE-CATALYST EXHAUST PIPE	1
4	202554	12L CATALYST – 10.35 x 6	1
5	203188	CATALYST MOUNT BRACKET	2
6	203189	CATALYST HEATSHIELD	1
7	203190	POST CATALYST EXHAUST PIPE	1
8	203186	MUFFLER – SIDE OUTLET	1
9	203406	5" STEP DOWN BAND CLAMP	1
10	204090	EXHAUST TAIL PIPE	1
11	203360	5" EXHAUST RAIN CAP	1
12	203187	11" MUFFLER BAND MOUNT	2
13	201487	HIGH TEMP ISOLATOR MOUNT	4
14	202511	V-BAND CLAMP	1
15	201280	OXYGEN SENSOR: POST (SECONDARY)	1
16	201279	OXYGEN SENSOR: UEGO	1
17	202642	EXHAUST STACK GASKET	2
18	200875	CATALYST GASKET	2
	202551	GASKET – TURBINE OUT (MATES TO 202490) NOT PICTURED	1

Exhaust System – OPU

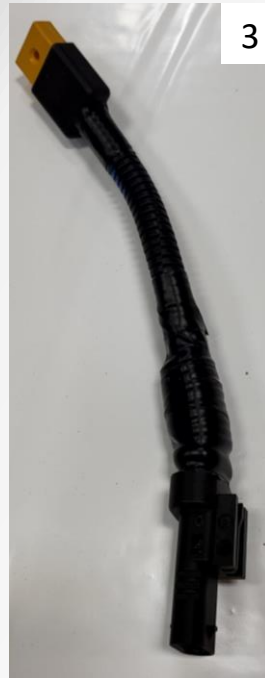
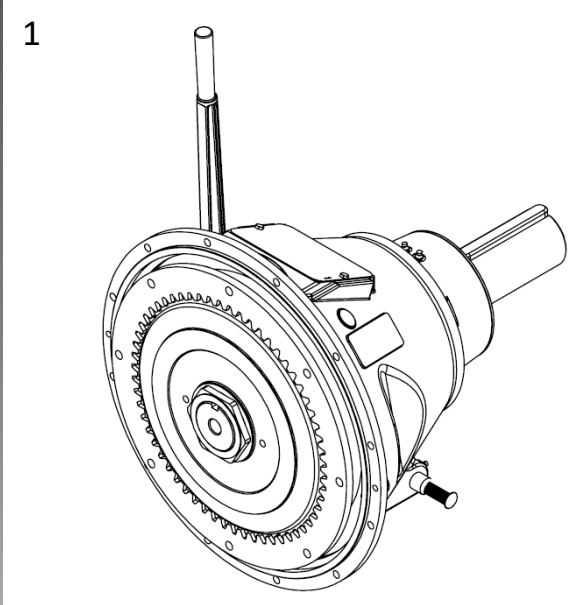


Exhaust System – OPU



Item No	Part Number	Description	Qty
1	202986	POST CAT PIPE	1
2*	202554	STANDARD CATALYST	1
2*	204176	RICH-BURN CATALYST	
3	202623	BRACKET: CATALYST SUPPORT	1
4	201532	CLAMP: EXHAUST PIPE	2
5	203260	BRACKET: CATALYST SUPPORT - L	1
6	201280	POST CAT O2 SENSOR	1
7	201279	UEGO SENSOR	1
8	203314	PRE-CAT EXHAUST PIPE	1
9	202635	BELLOWS- EXHAUST STACK FLEX	1
10*	204085	TURBINE OUTLET PIPE – NON EGR	1
10*	202490	TURBINE OUTLET PIPE – WITH EGR	
11	200875	CATALYST GASKET	2

Miscellaneous Parts



Miscellaneous Parts

Item No	Part Number	Description	Qty
1	203393	PTO: SAE #1 PILOTLESS	1
2	201388	LOW COOLANT ALARM SWITCH	1
3	202921	EGT THERMOCOUPLE AMPLIFIER HARNESS	1
4	202619	12L SPARK PLUG WIRE SET (SET OF 6)	1
5	201390	OIL PRESSURE SENSOR	1
6	200452	IGNITION COIL: 24V	6
7	200114	DYNAGEN INTERMEDIATE HARNESS	1
8	200119	DYNAGEN AUXILIARY HARNESS	1
9	203408	BATTERY CABLE - POSITIVE	1
10	203409	BATTERY CABLE - NEGATIVE	1
11	203344	OIL DRAIN VALVE	1
12	202601	EXHAUST TEMP THERMOCOUPLE	1
Not Pictured			
	200613	SPARK PLUG	6
	202071	BRACKET – ECU / RELAY BOX	1
	201482	ISOLATOR – ECU BRACKET	2
	200765	COIL BRACKET	1
	202977	MOTOSERVICE DIAGNOSTIC KIT	

Service Kits



Kit No.	Contains	Description	Qty
203196		Cylinder Head Assembly with Gasket Set	
	203052	Cylinder Head – complete with valves	1
	202999	Head Bolt: 26 per engine	26
	202996	Gasket: Intake - 1 per engine	1
	202997	Gasket: Intake Manifold - 5 per engine	5
	202998	Gasket: Water Return Manifold - 6 per engine	6
	203065	Gasket: Head	1
	203069	Gasket: Valve Cover	1
	203140	Gasket: Exhaust Manifold	6
	203143	Gasket: Rear Gear Housing to Head	1
203197		Turbo Kit	
	202560	Turbo	1
	200877	Gasket: T4 Flange	1
	202551	Gasket: Turbo Turbine Out	1
	203253	Gasket: Turbo Oil Drain Line	1

Kit No.	Contains	Description	Qty
204225		Upper Gasket Kit	
	202996	Gasket: Intake - 1 per engine	1
	202997	Gasket: Intake Manifold - 5 per engine	5
	202998	Gasket: Water Return Manifold - 6 per engine	6
	203065	Gasket: Head	1
	203069	Gasket: Valve Cover	1
	203140	Gasket: Exhaust Manifold	6
	203143	Gasket: Rear Gear Housing to Head	1
204227		Piston Kit	
	203048	Piston: 6120	1
	203035	Cylinder Liner - 6 per engine	1
	203034	Seal: Cylinder Liner - 12 per engine	1
	203051	Piston Ring: Top	1
	203058	Piston Ring: Torsion Ring	1
	203059	Piston Ring: Oil Control	1
	203050	Wrist Pin: Piston	1
	203060	Pin Retainer: Wrist Pin	1